

# True North

STRUCTURAL SYSTEMS



**MONO DUCT**

Mono Block Duct Spacer

[www.truenorthstructural.com](http://www.truenorthstructural.com)



## *Monoducts are used in multi-cable transmission lines*

### *Application areas:*

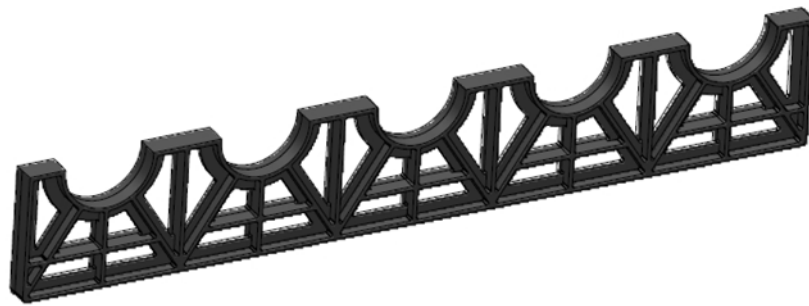
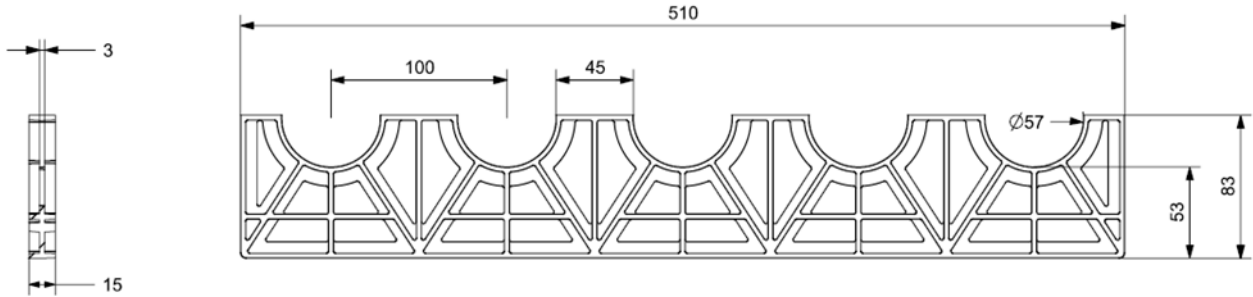
- *Power Plants*
- *Nuclear Plants*
- *Urban electrical and telecommunication systems*
- *Tunnel constructions*
- *Industrial structures*
- *Airport projects*

### *Advantages:*

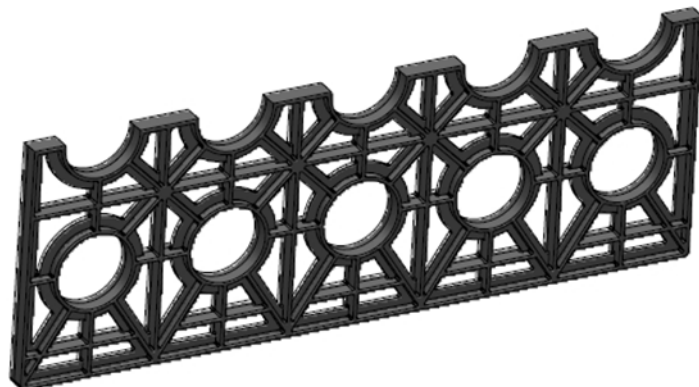
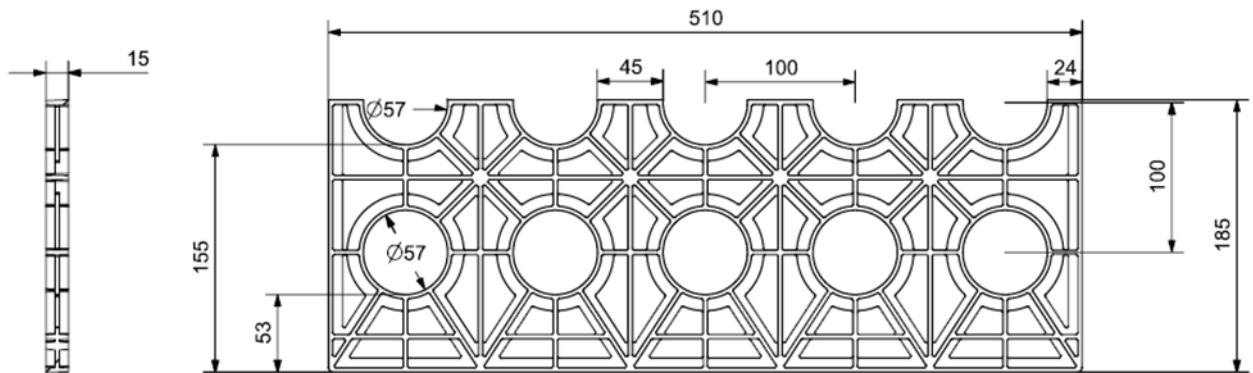
- *It prevents resonance risk between electrical and signalling cables*
- *Lightweight, durable and easy to install*
- *No additional labour needed*
- *Environment friendly*
- *Does not require welding etc.*



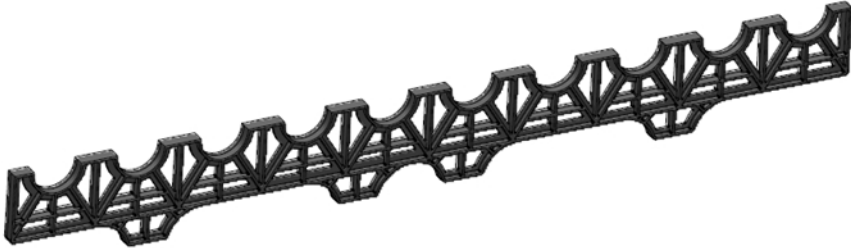
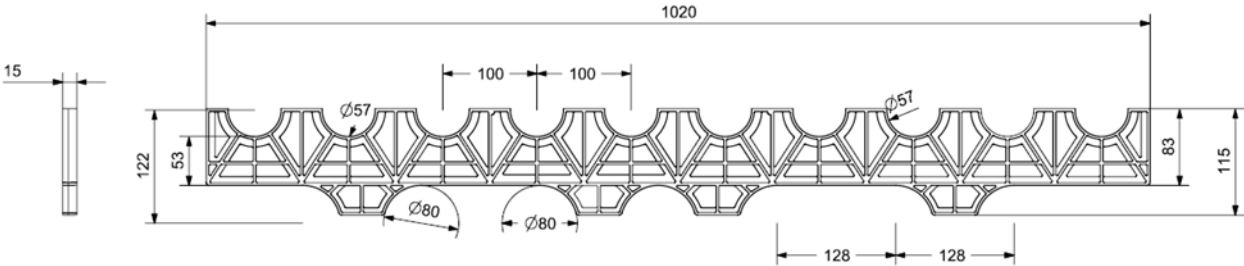
**MONODUCT - Ø 50 1 Level With 5 Lines**



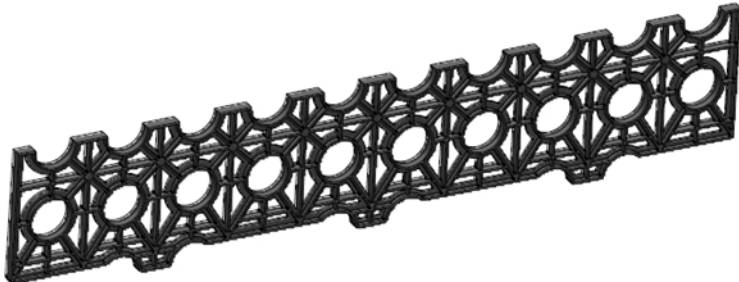
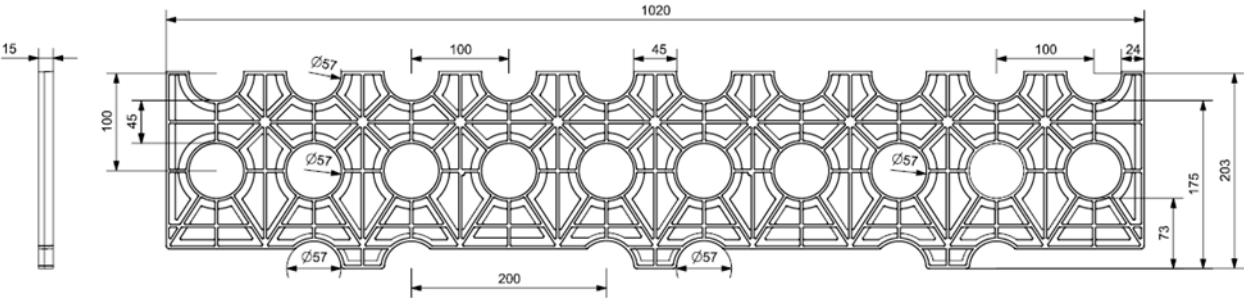
**MONODUCT - Ø 50 2 Levels with 5 Lines**



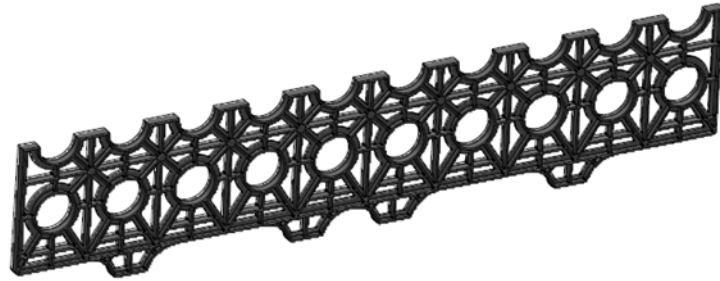
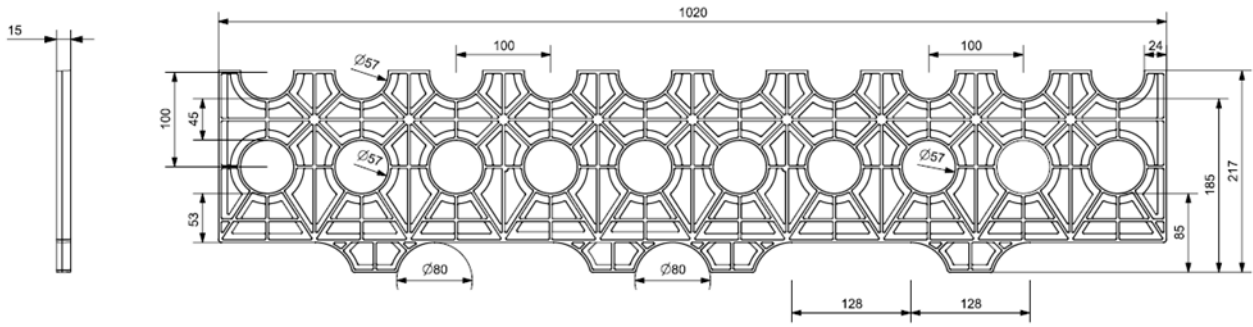
**MONODUCT - Ø 50 1 Level with 10 Lines + 7 Additional space for Ø 76**



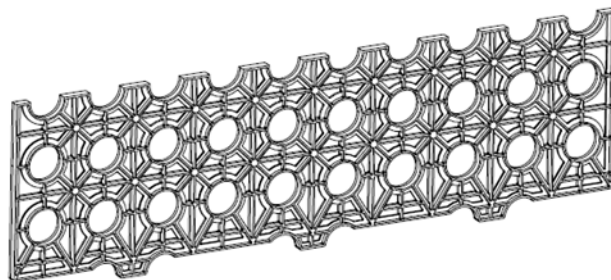
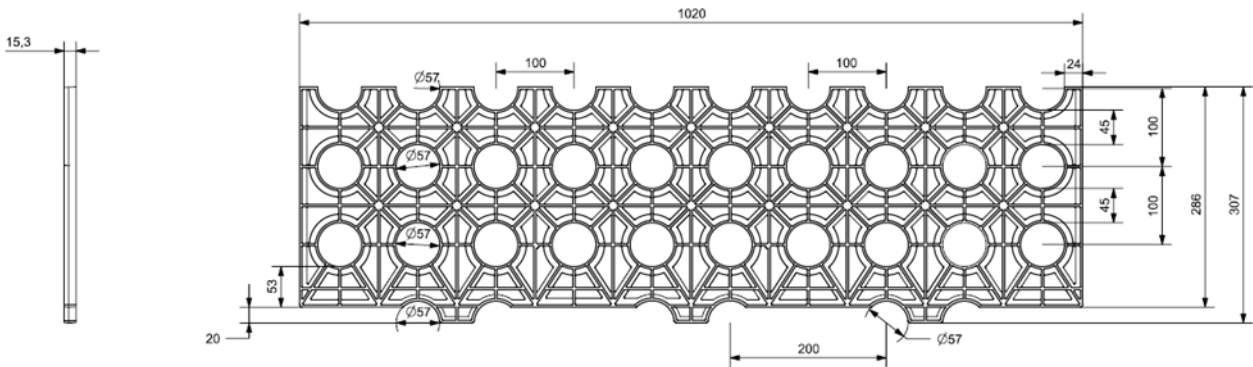
**MONODUCT - Ø 50 2 Levels with 10 Lines + 6 Additional space for Ø 50**



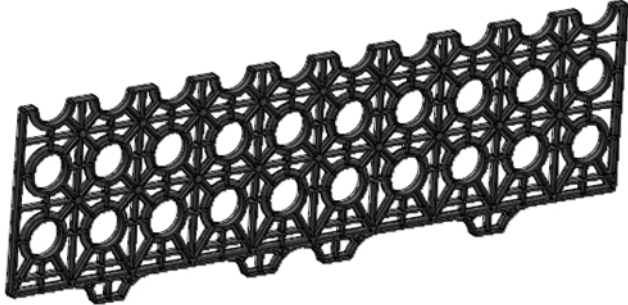
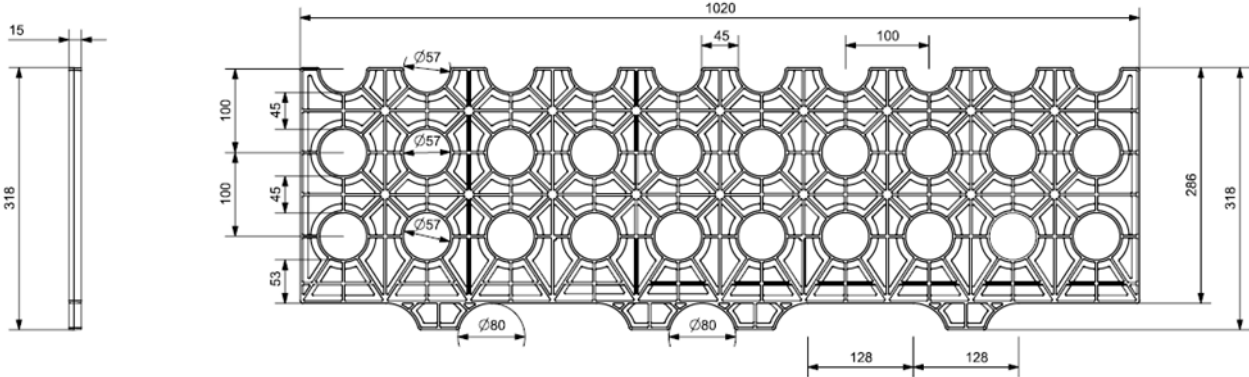
**MONODUCT -  $\varnothing$  50 2 Levels with 10 Lines + 7 Additional space for  $\varnothing$  76**



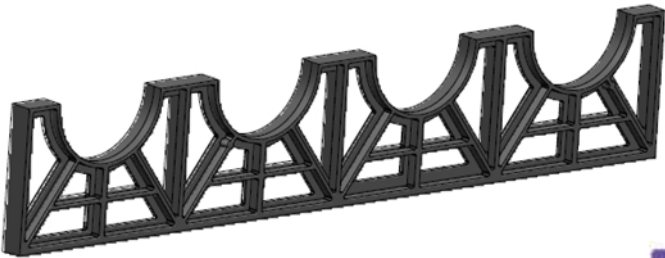
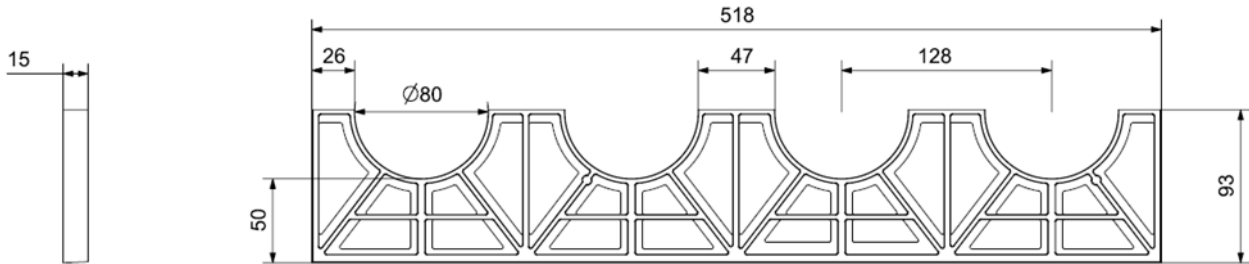
**MONODUCT -  $\varnothing$  50 3 Levels with 10 Lines + 6 Additional space for  $\varnothing$  50**



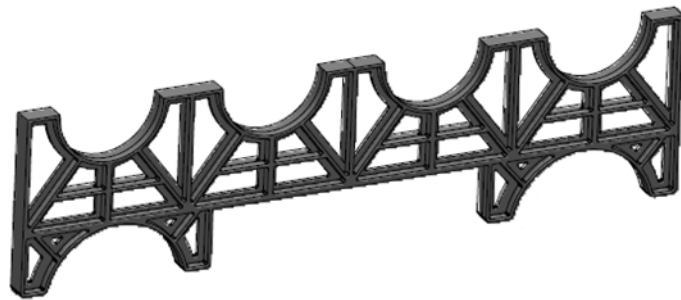
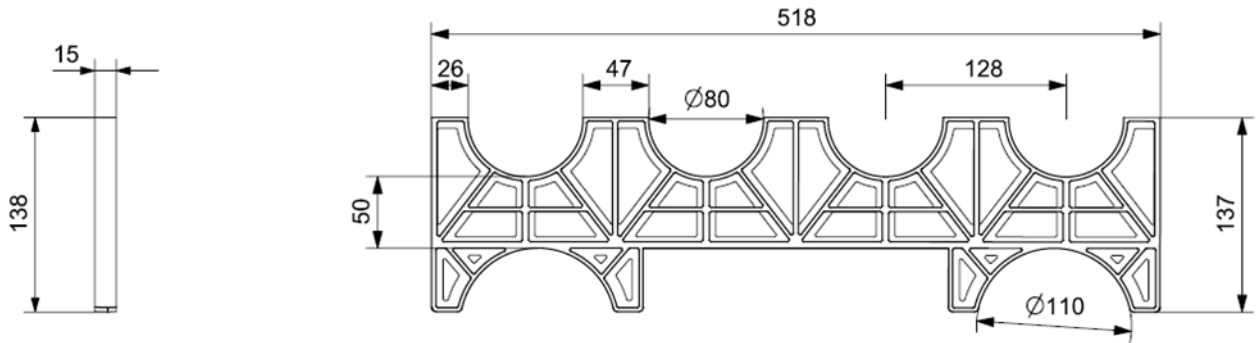
**MONODUCT -  $\varnothing$  50 3 Levels with 10 Lines + 7 Additional space for  $\varnothing$  76**



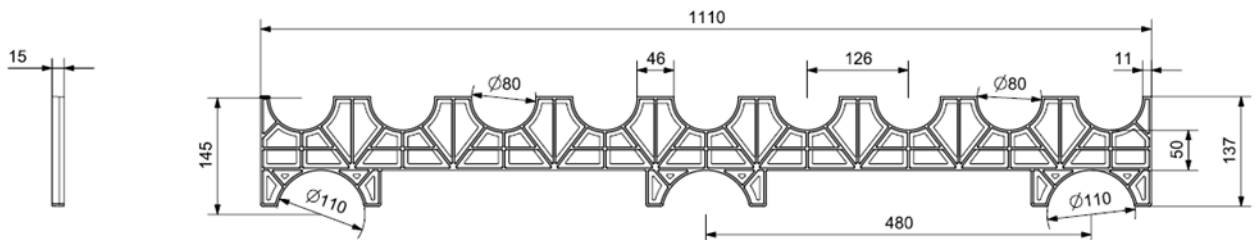
**MONODUCT -  $\varnothing$  76 1 Level with 4 Lines**



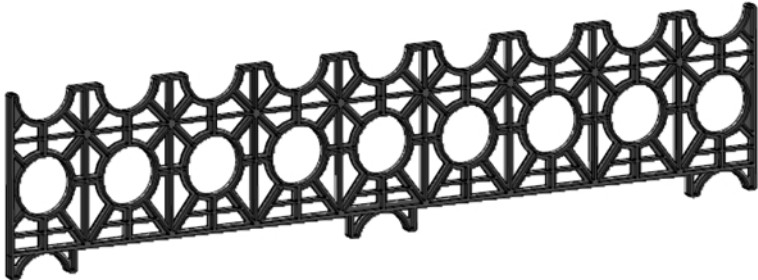
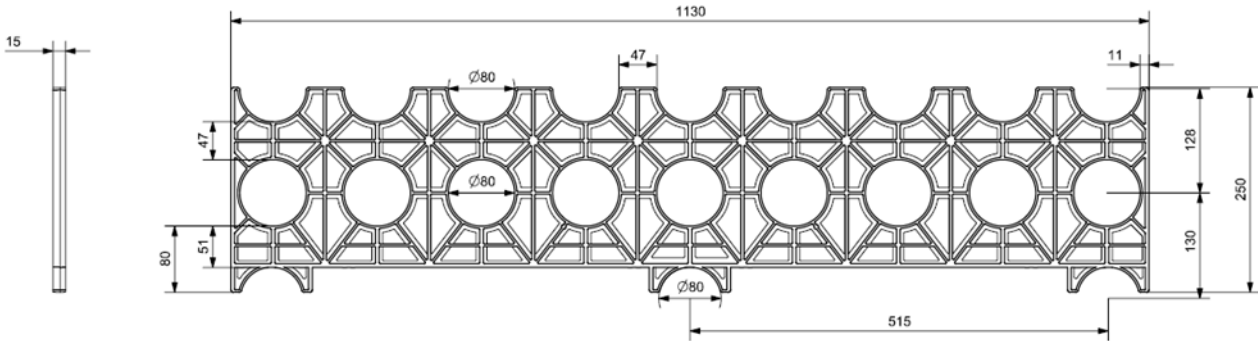
**MONODUCT -  $\varnothing$  76 1 Level with 4 Lines+ 2 Additional space for  $\varnothing$  100**



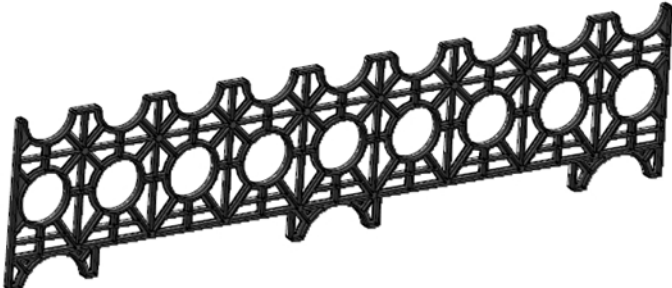
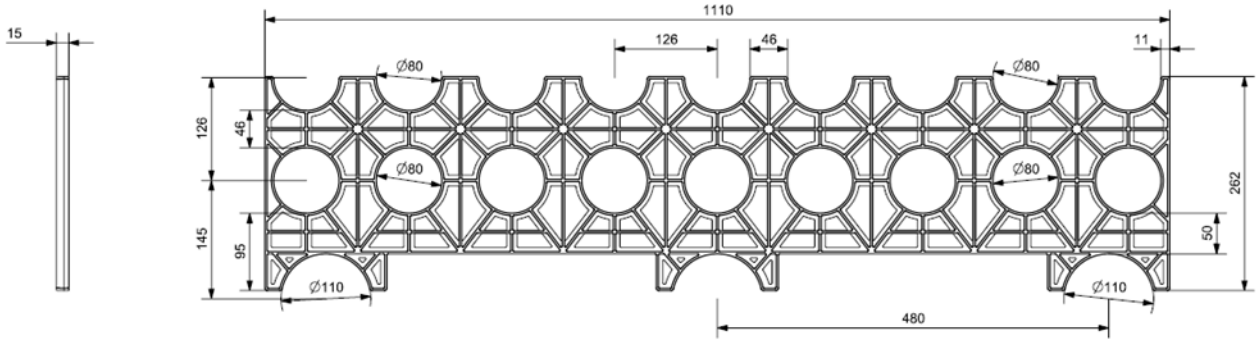
**MONODUCT -  $\varnothing$  76 1 Levels with 9 Lines + 3 Additional space for  $\varnothing$  100**



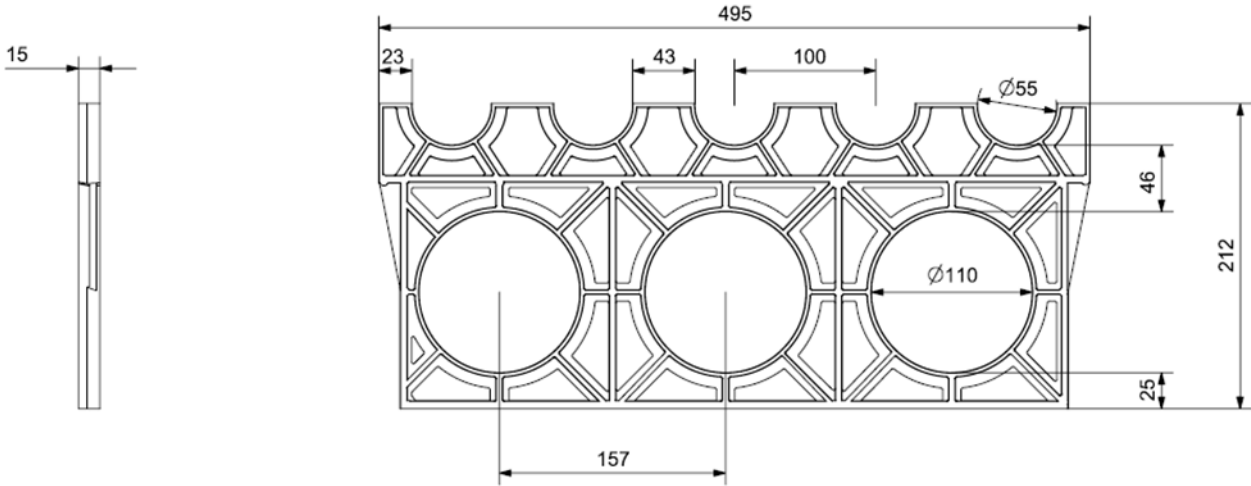
**MONODUCT - Ø 76 2 Levels with 9 Lines + 3 Additional space for Ø 76**



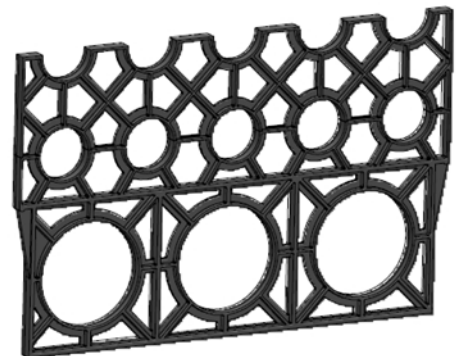
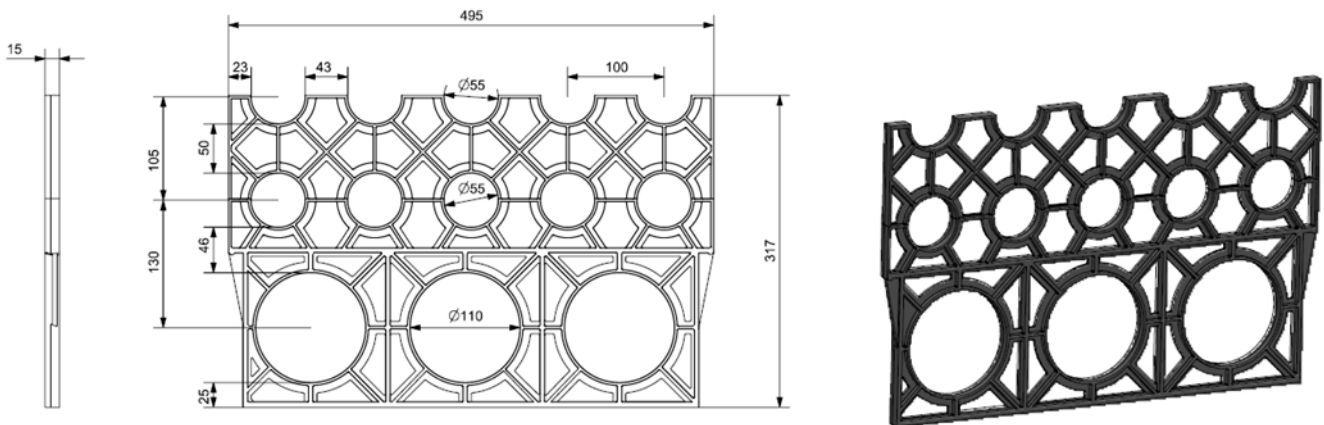
**MONODUCT - Ø 76 2 Levels with 9 Lines + 3 Additional space for Ø 100**



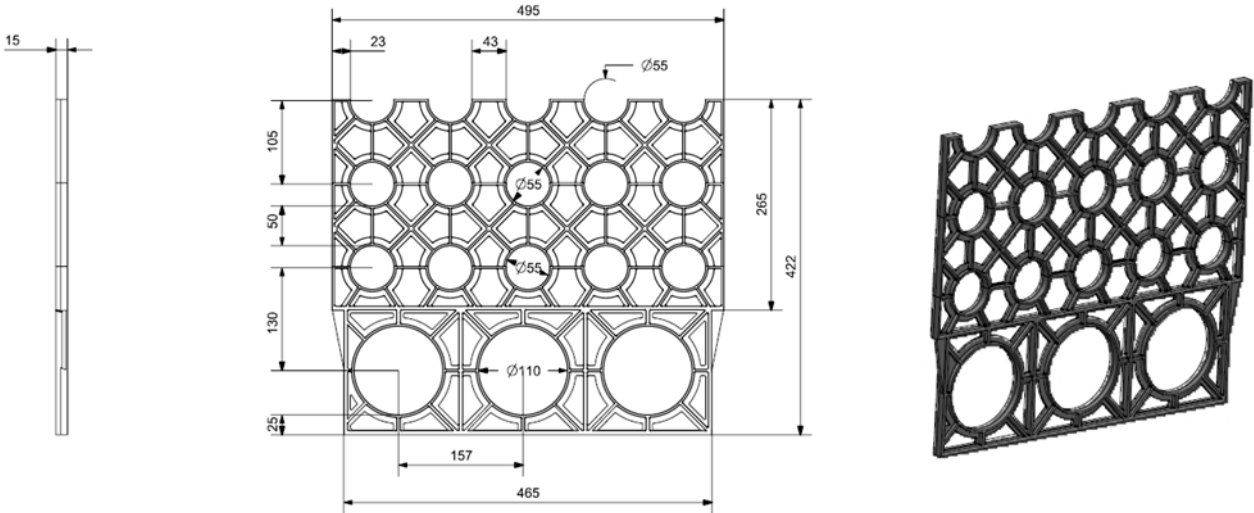
**MONODUCT -  $\varnothing$  100 1 Level with 3 Lines +  $\varnothing$  50 1 Level with 5 Lines**



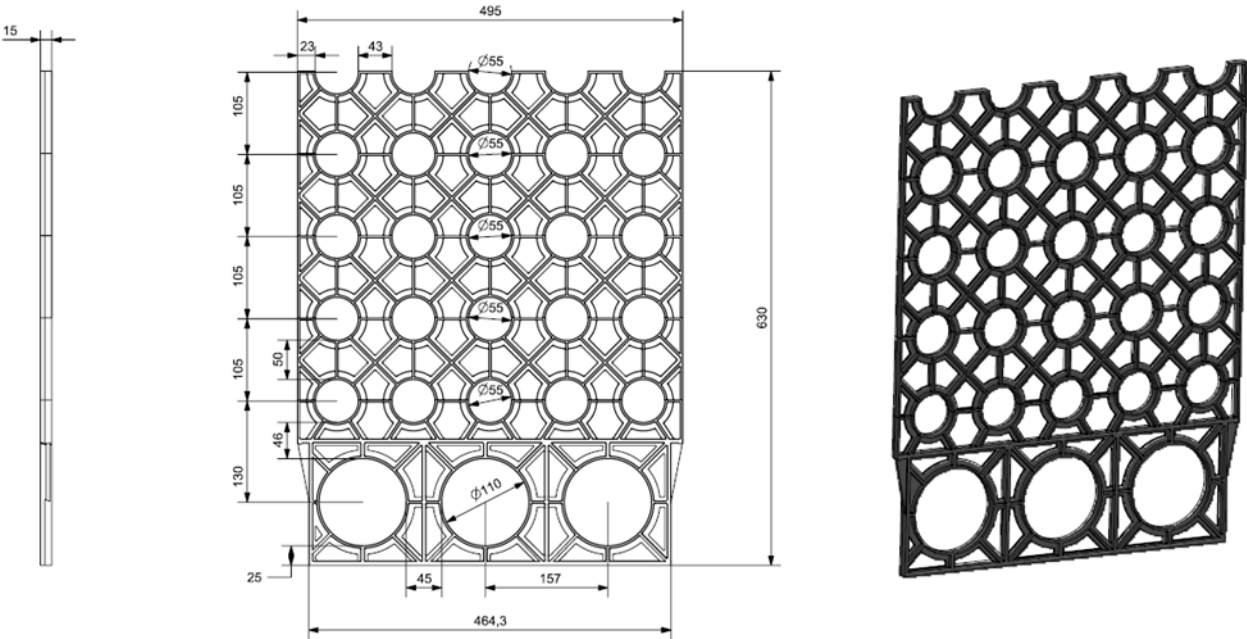
**MONODUCT -  $\varnothing$  100 1 Level with 3 Lines +  $\varnothing$  50 2 Levels with 5 Lines**



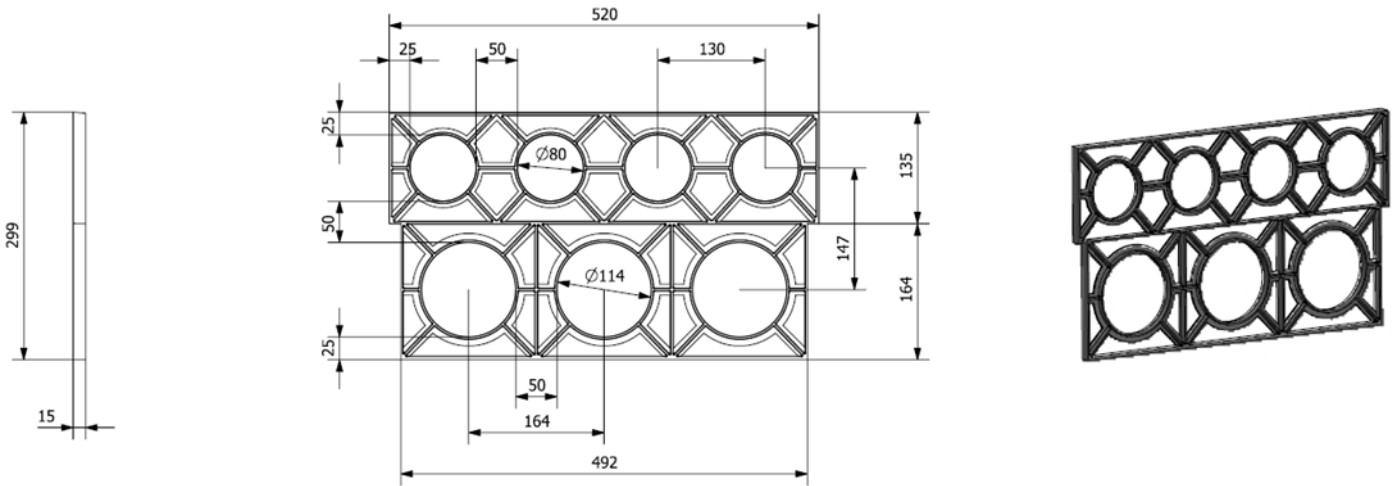
**MONODUCT - Ø 100 1 Level with 3 Lines + Ø 50 3 Levels with 5 Lines**



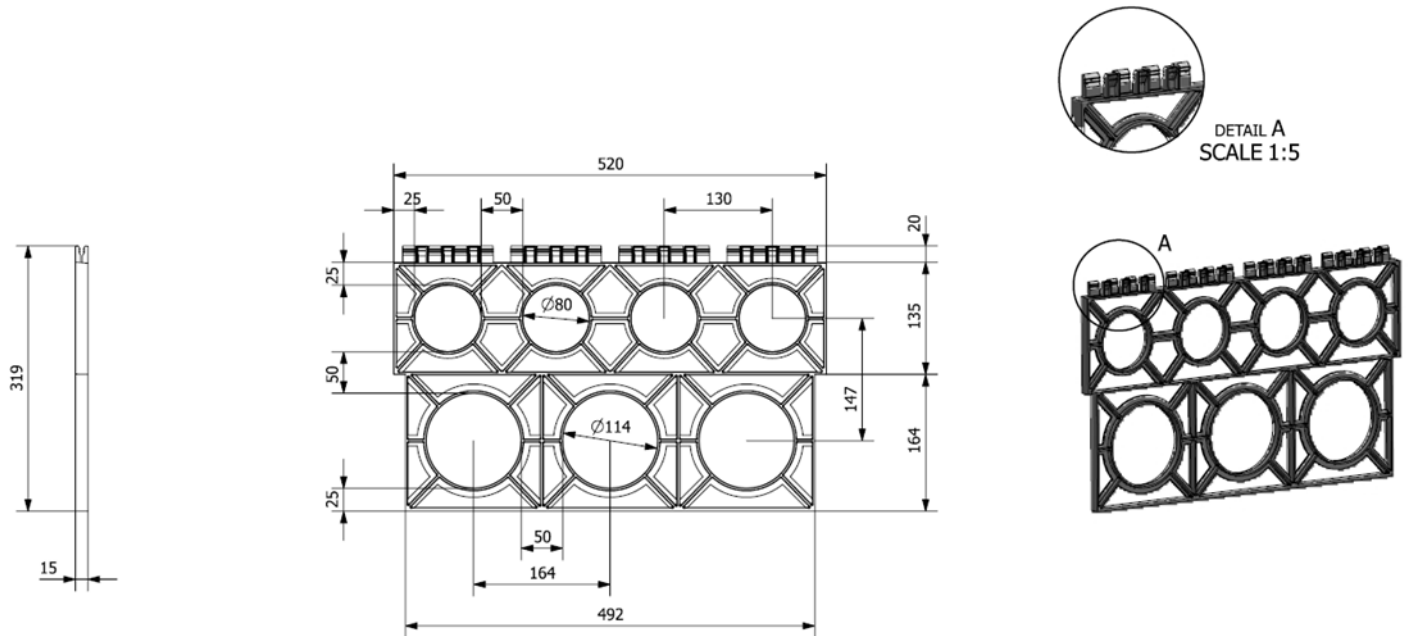
**MONODUCT - Ø 100 1 Level with 3 Lines + Ø 50 5 Levels with 5 Lines**



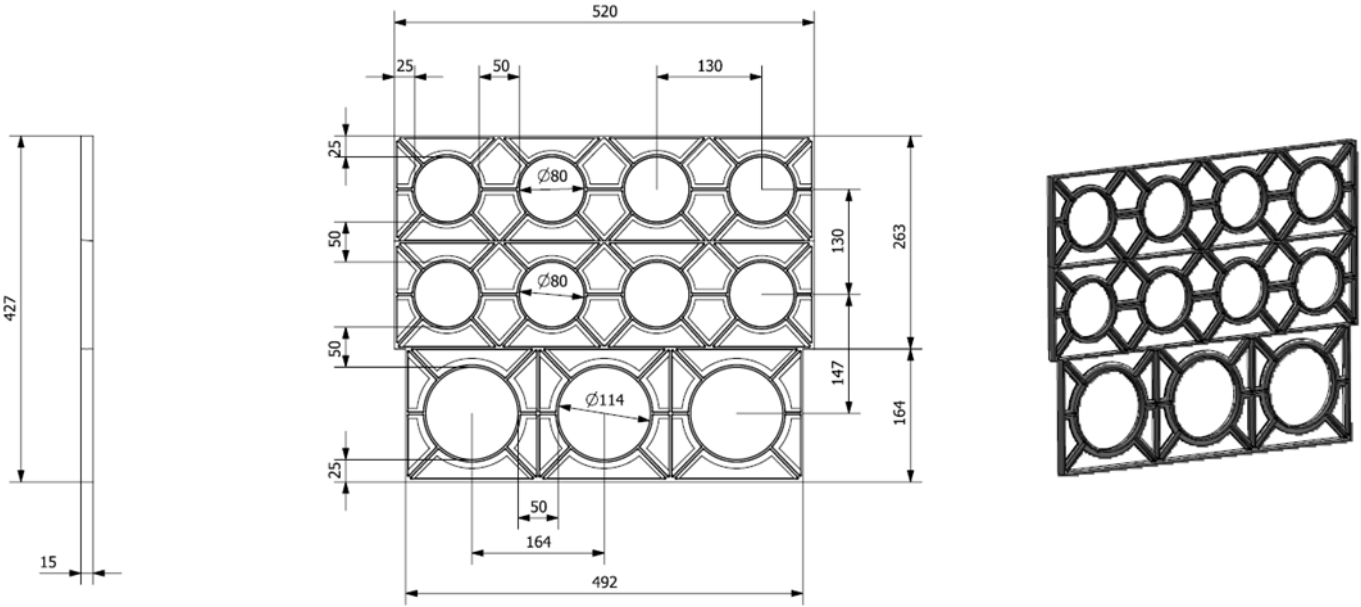
**MONODUCT -  $\varnothing$  110 1 Level with 3 Lines +  $\varnothing$  76 1 Level with 4 Lines**



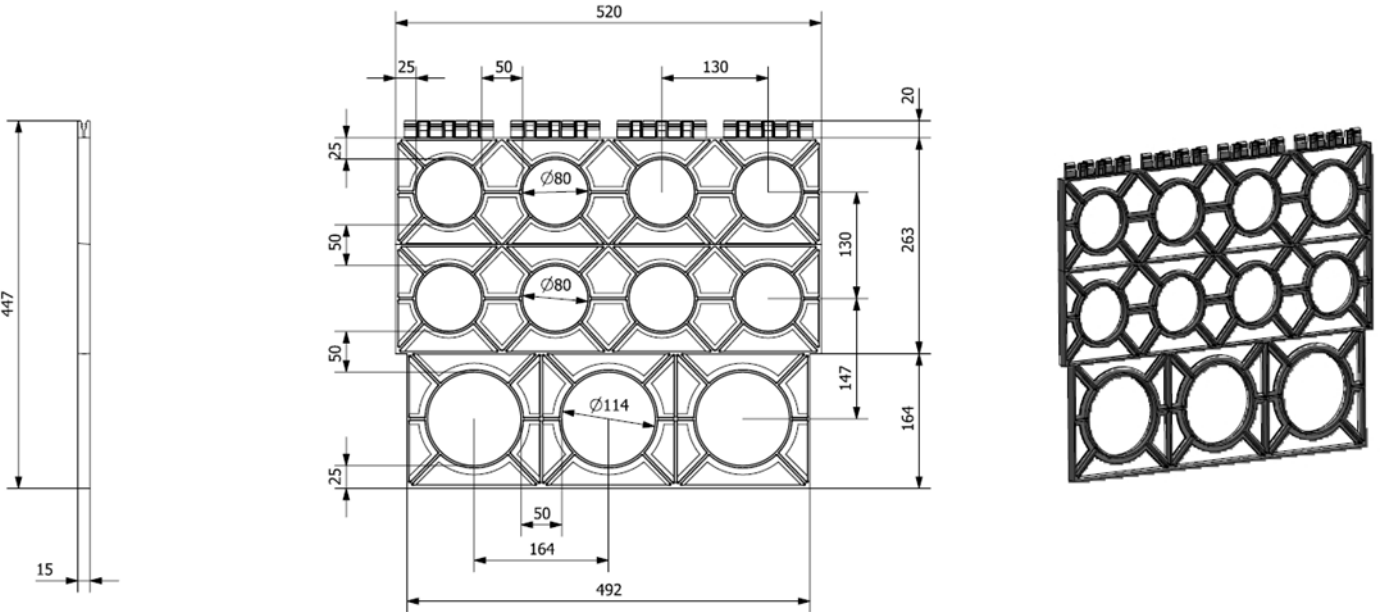
**MONODUCT -  $\varnothing$  110 1 Level with 3 Lines +  $\varnothing$  76 1 Level with 4 Lines +  
+ 4 Additional Joints for Assembly Style MONODUCT**



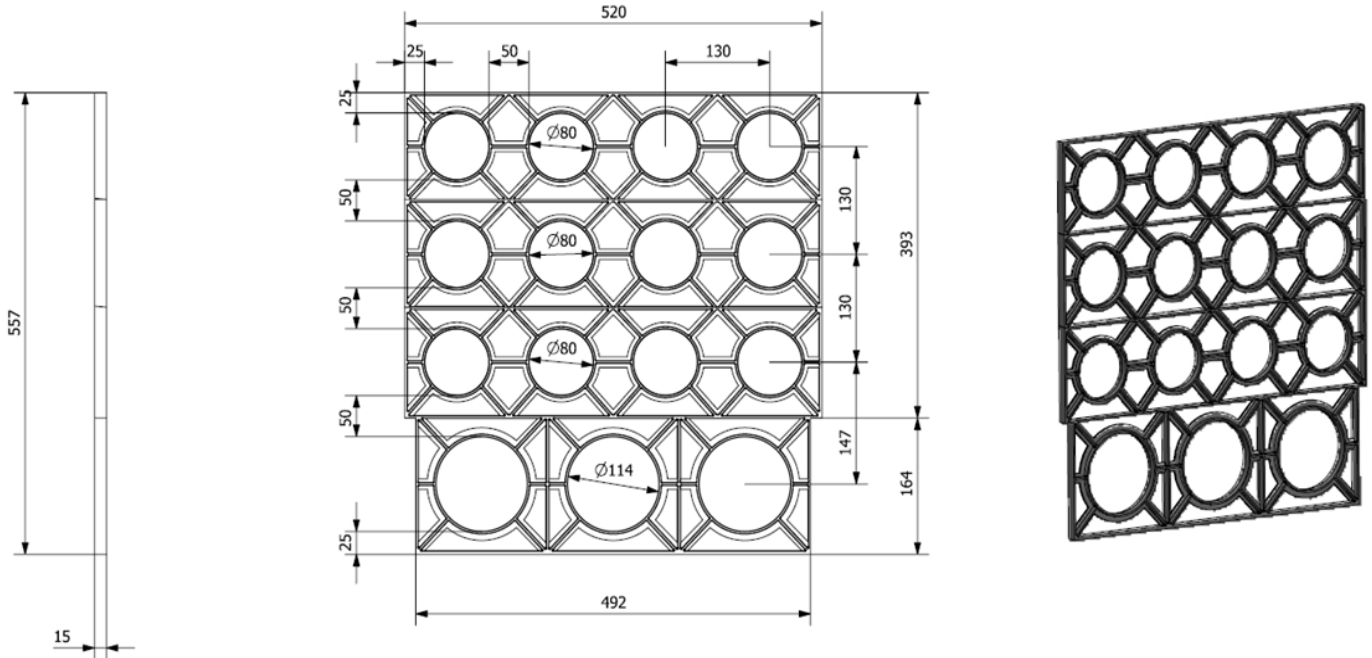
**MONODUCT - Ø 110 1 Level with 3 Lines + Ø 76 2 Levels with 4 Lines**



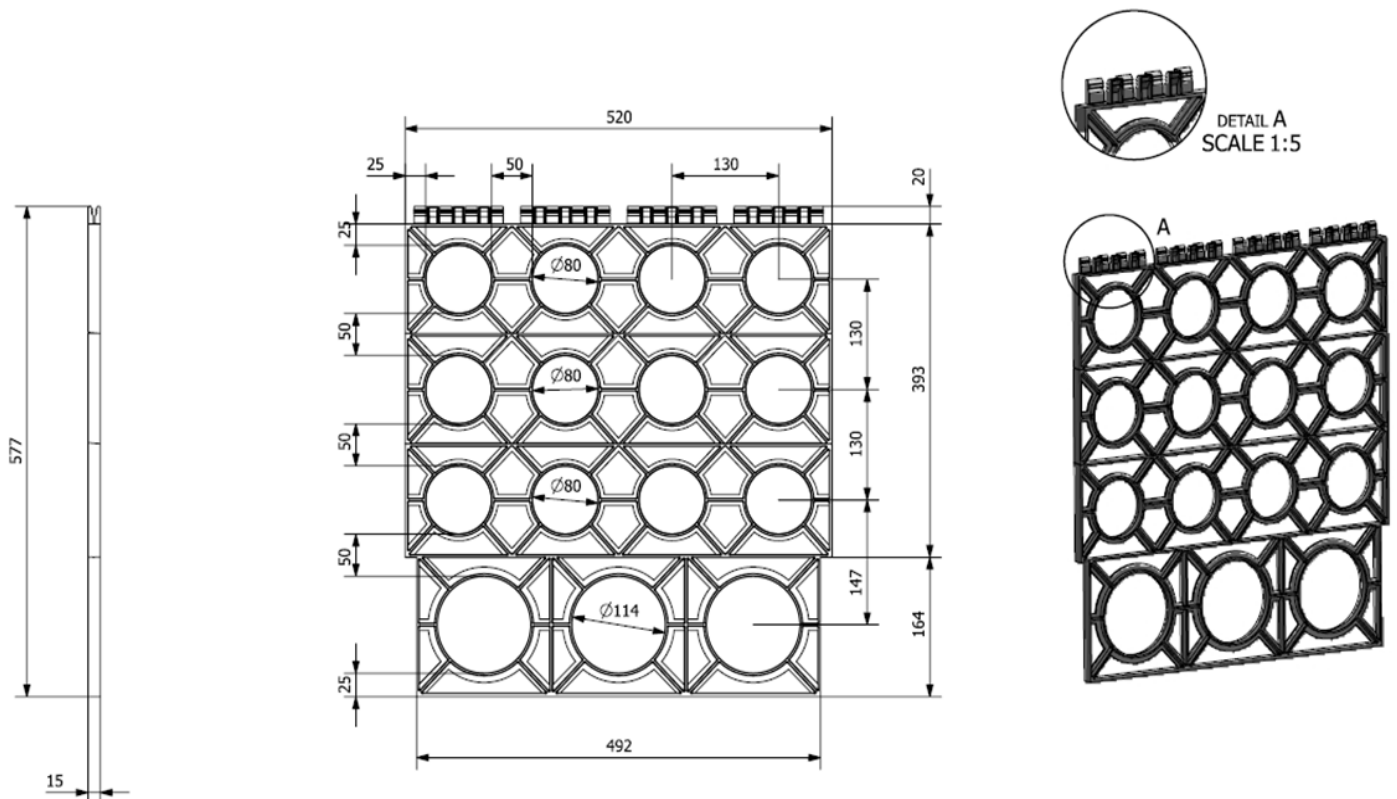
**MONODUCT - Ø 110 1 Level with 3 Lines + Ø 76 2 Levels with 4 Lines +  
+ 4 Additional Joints for Assembly Style MONODUCT**



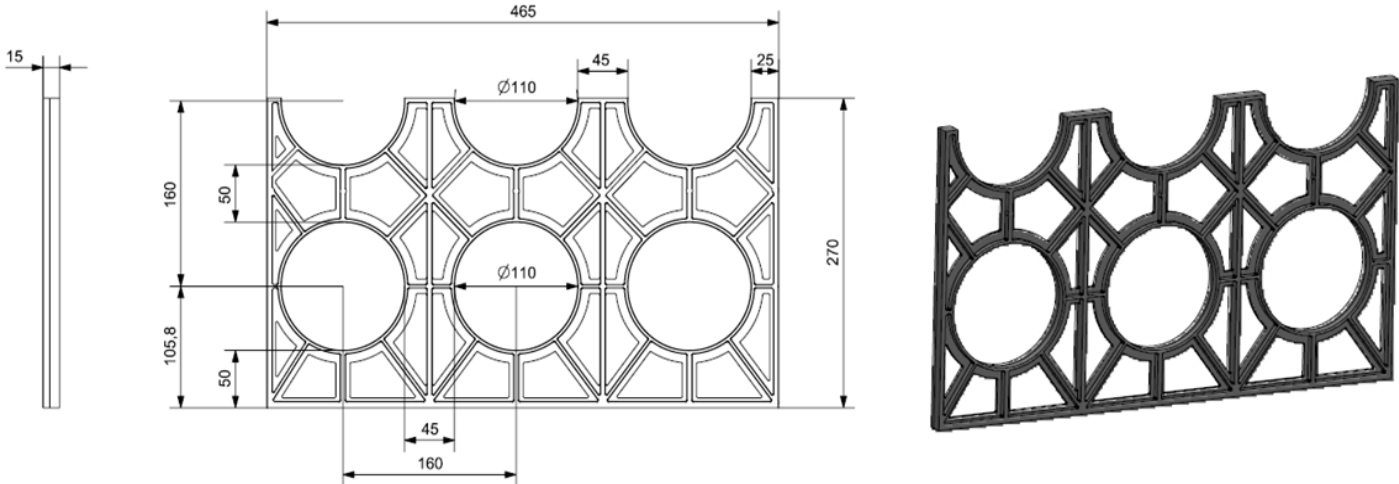
**MONODUCT -  $\varnothing$  110 1 Level with 3 Lines +  $\varnothing$  76 3 Levels with 4 Lines**



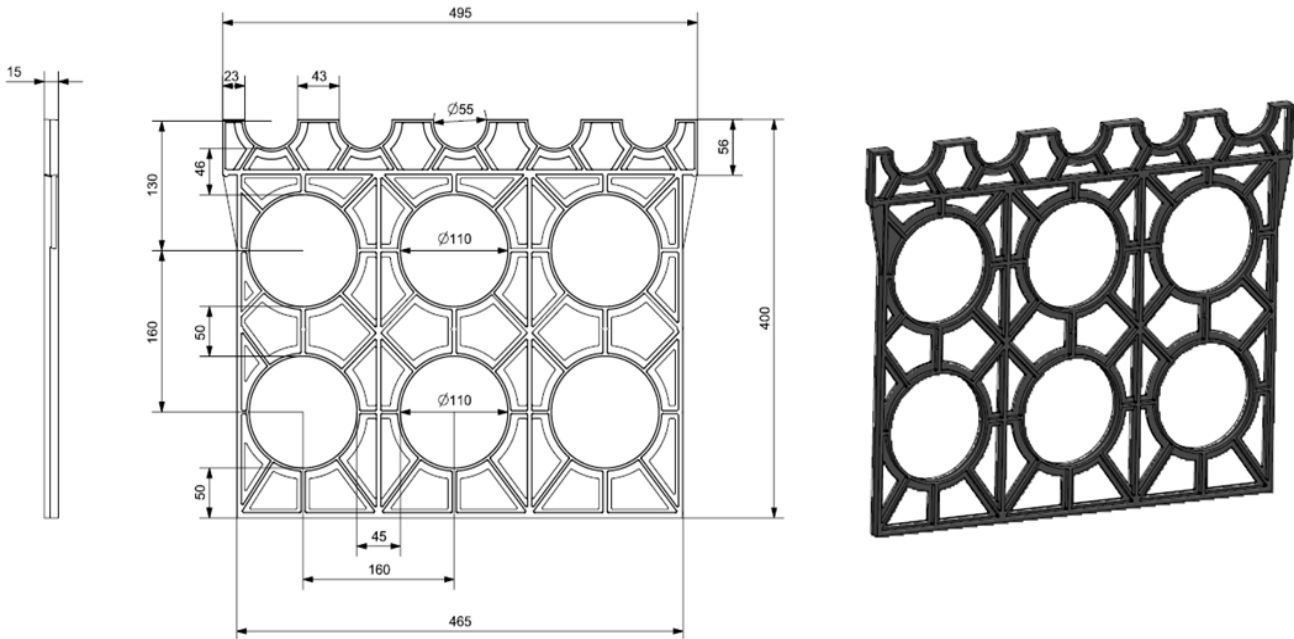
**MONODUCT -  $\varnothing$  110 1 Level with 3 Lines +  $\varnothing$  76 3 Levels with 4 Lines +  
+ 4 Additional Joints for Assembly Style MONODUCT**



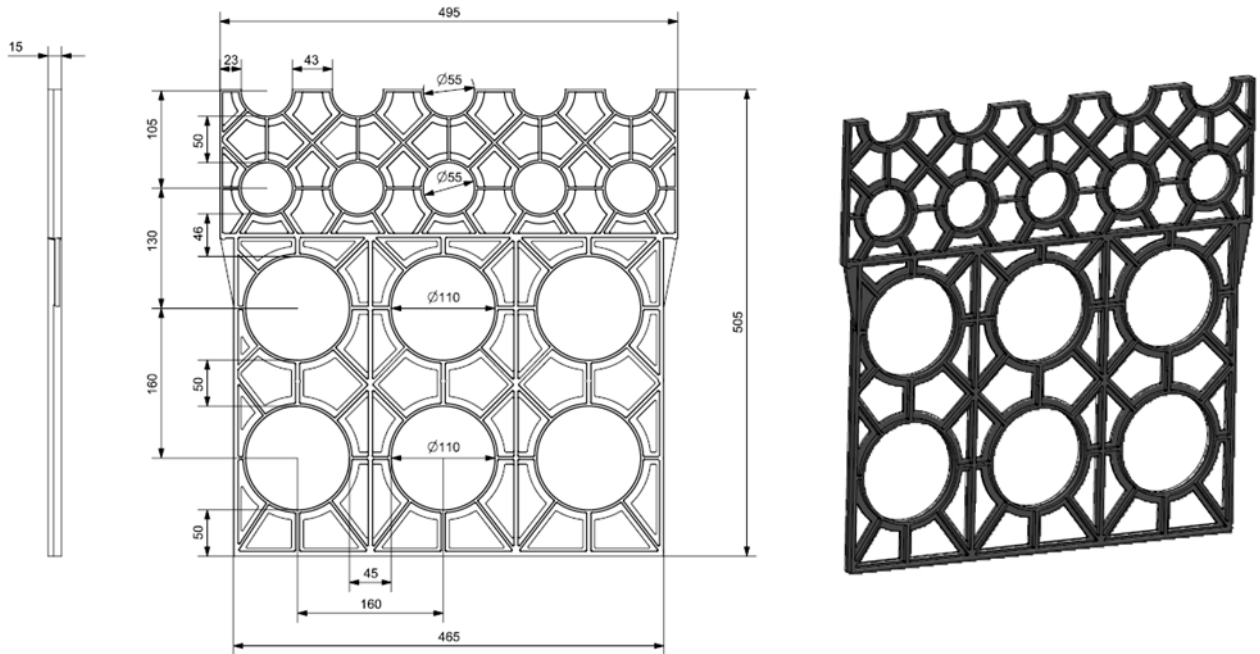
**MONODUCT -  $\varnothing$  100 2 Levels with 3 Lines**



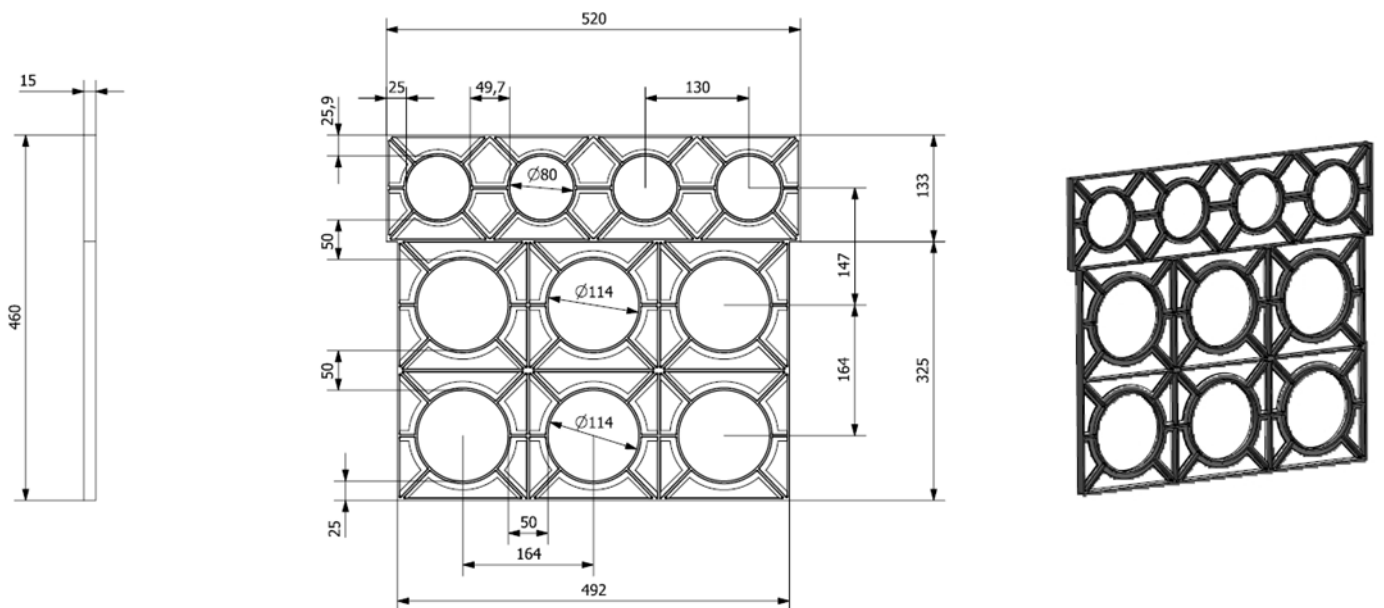
**MONODUCT -  $\varnothing$  100 2 Levels with 3 Lines +  $\varnothing$  50 1 Level with 5 Lines**



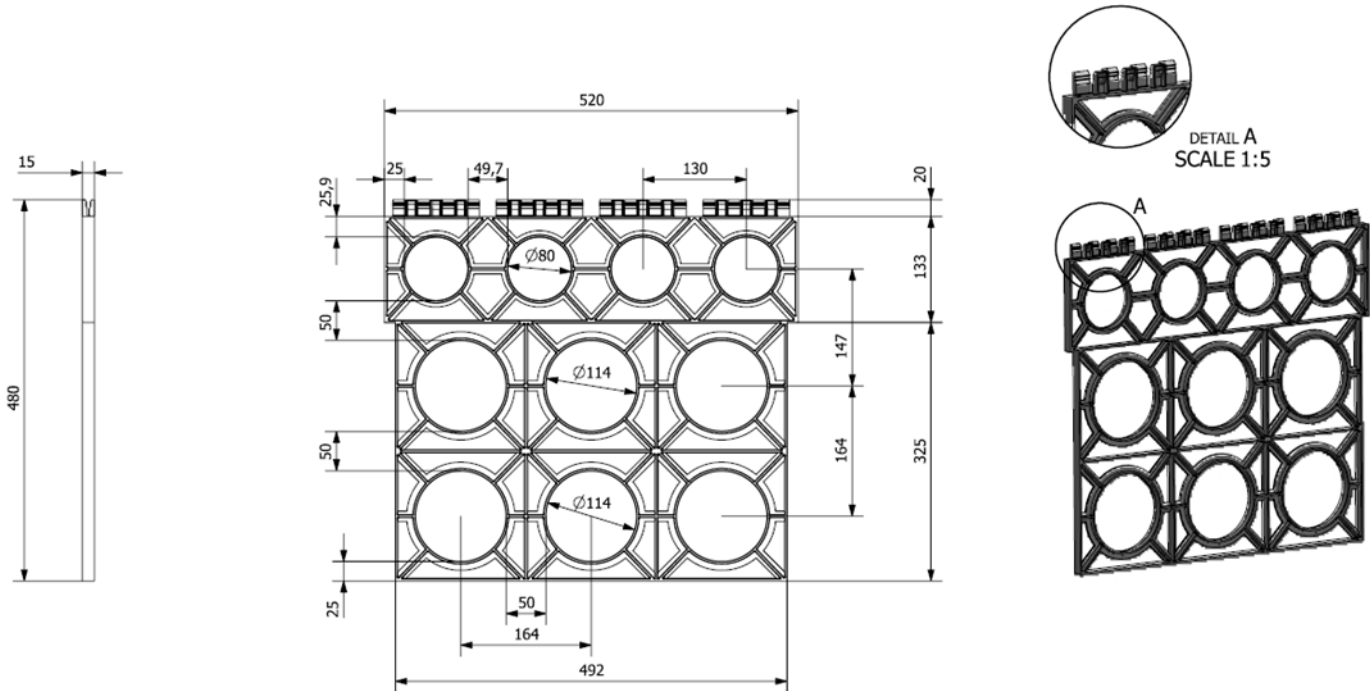
**MONODUCT -  $\varnothing$  100 2 Levels with 3 Lines +  $\varnothing$  50 2 Levels with 5 Lines**



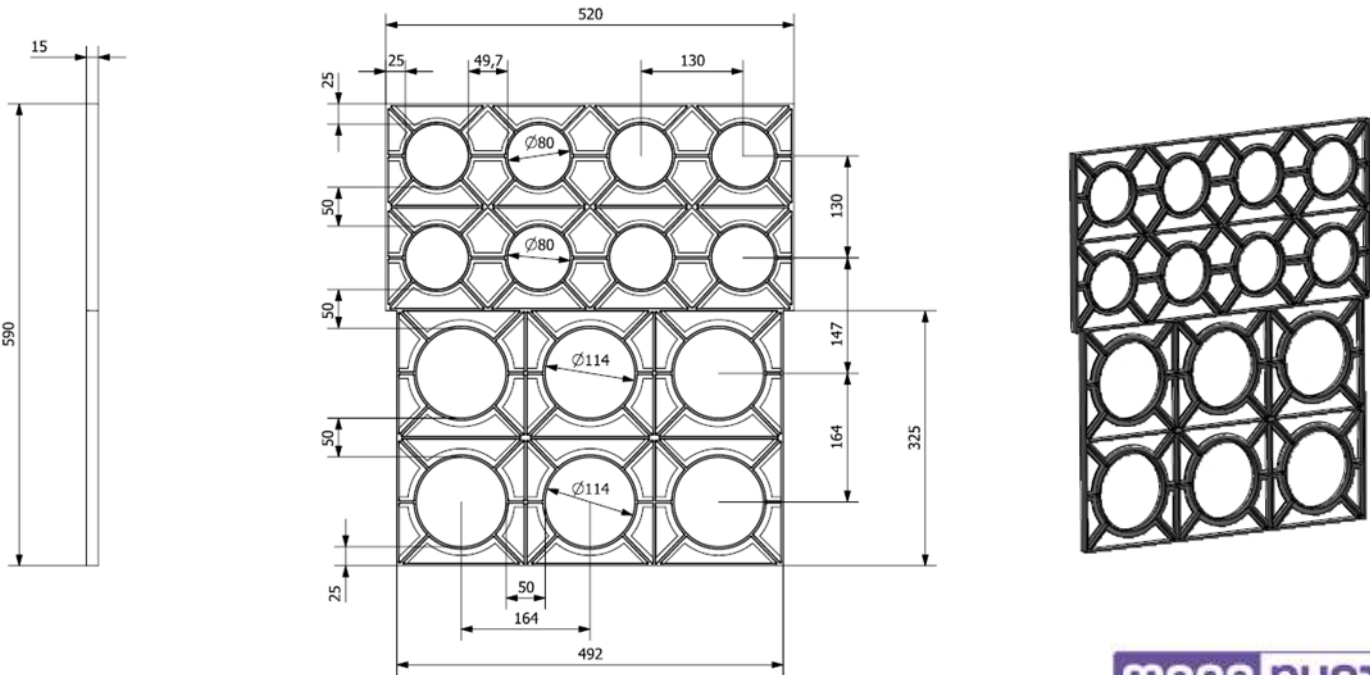
**MONODUCT -  $\varnothing$  110 2 Levels with 3 Lines +  $\varnothing$  76 2 Level with 4 Lines**



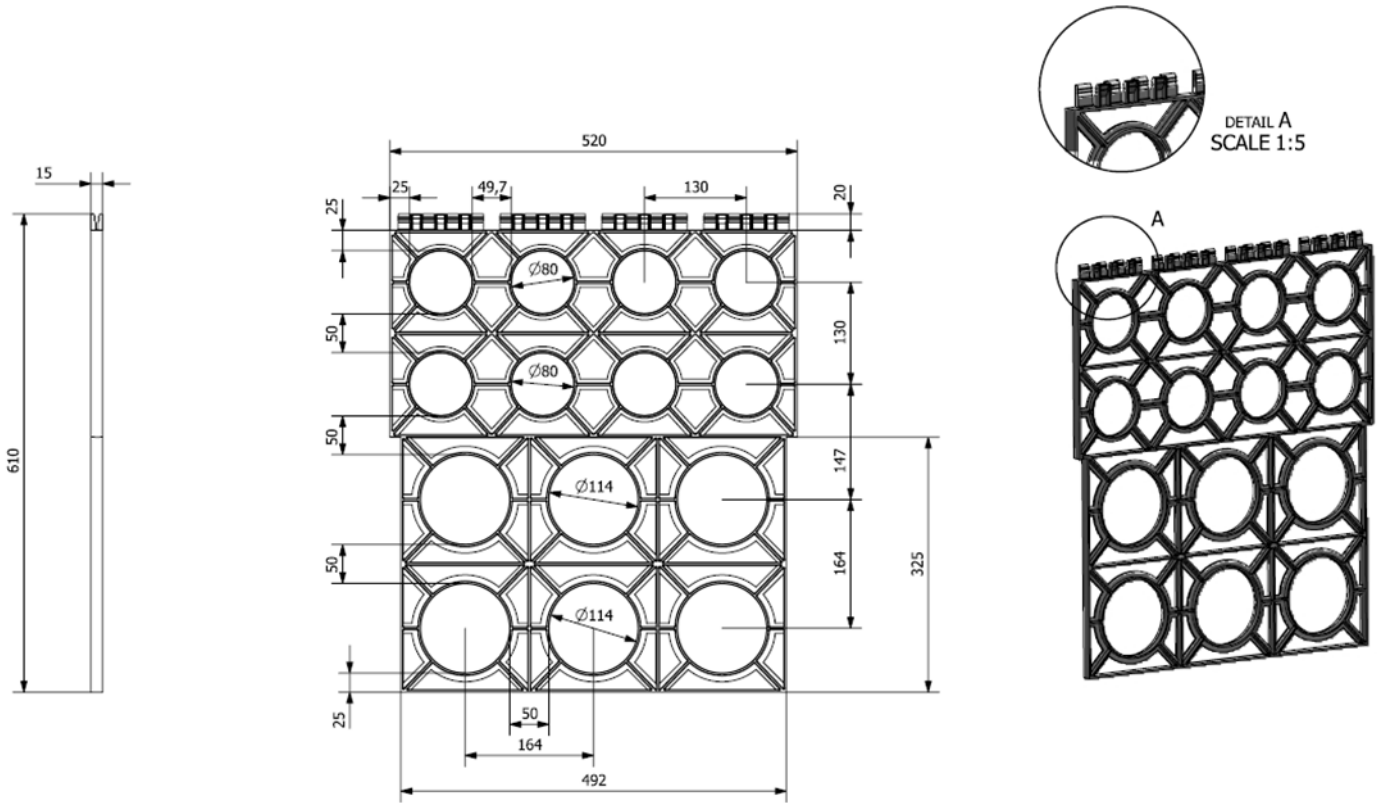
**MONODUCT -  $\varnothing$  110 2 Levels with 3 Lines +  $\varnothing$  76 1 Level with 4 Lines +  
+ 4 Additional Joints for Assembly Style MONODUCT**



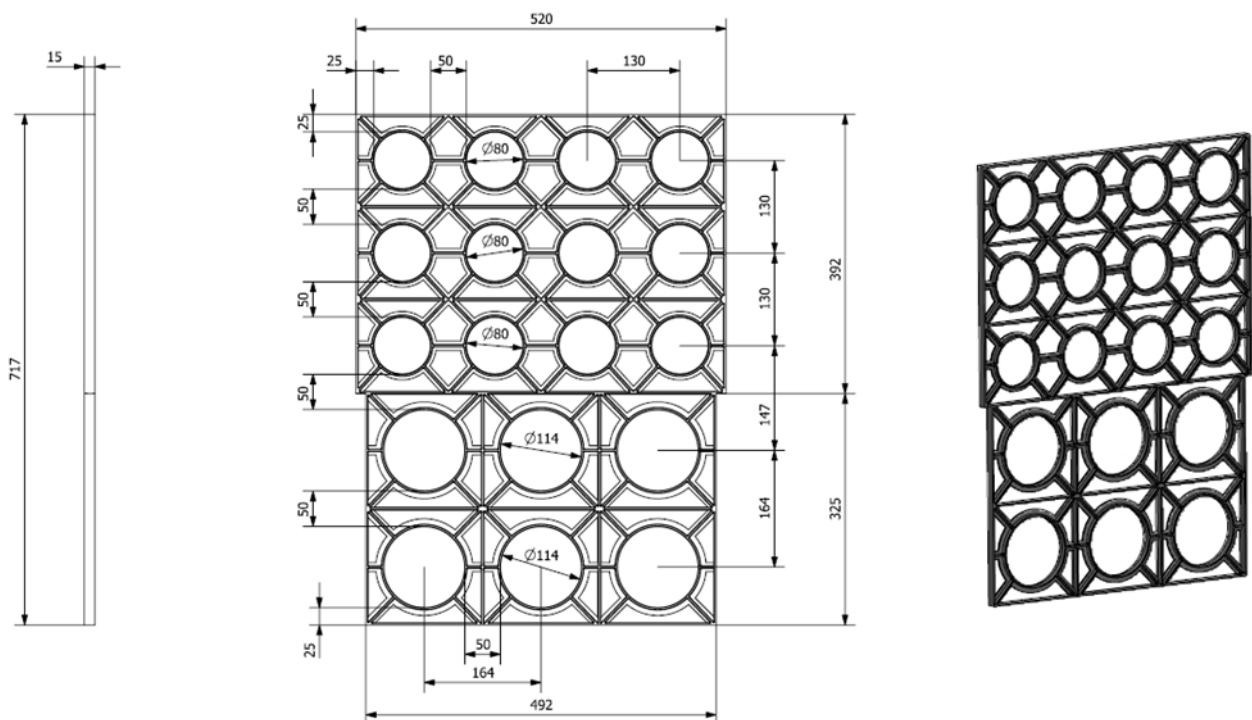
**MONODUCT -  $\varnothing$  110 2 Levels with 3 Lines +  $\varnothing$  76 2 Levels with 4 Lines**



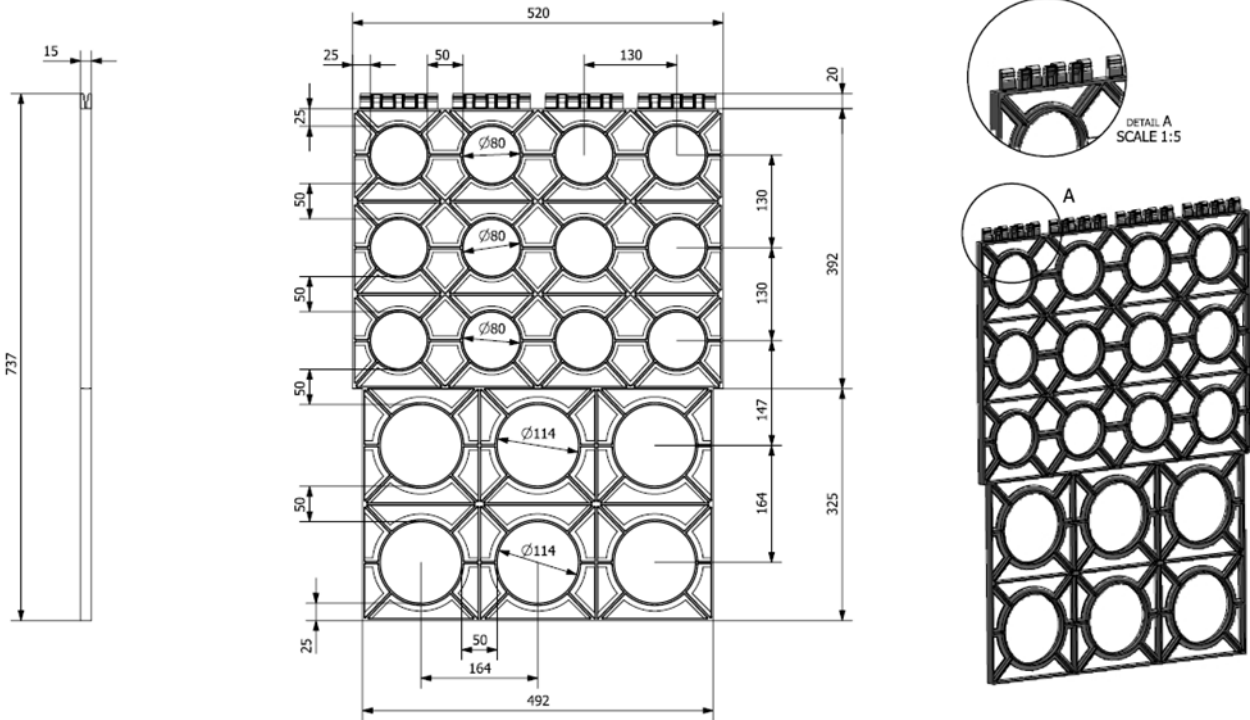
**MONODUCT -  $\varnothing$  110 2 Levels with 3 Lines +  $\varnothing$  76 2 Levels with 4 Lines +  
+ 4 Additional Joints for Assembly Style MONODUCT**



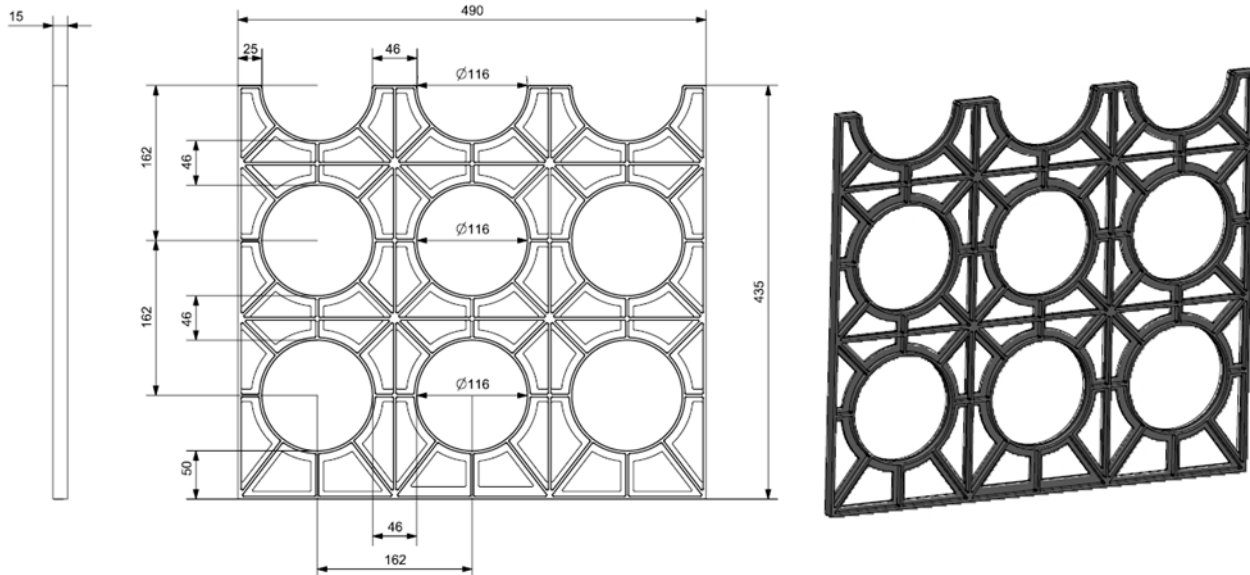
**MONODUCT -  $\varnothing$  110 2 Levels with 3 Lines +  $\varnothing$  76 3 Levels with 4 Lines**



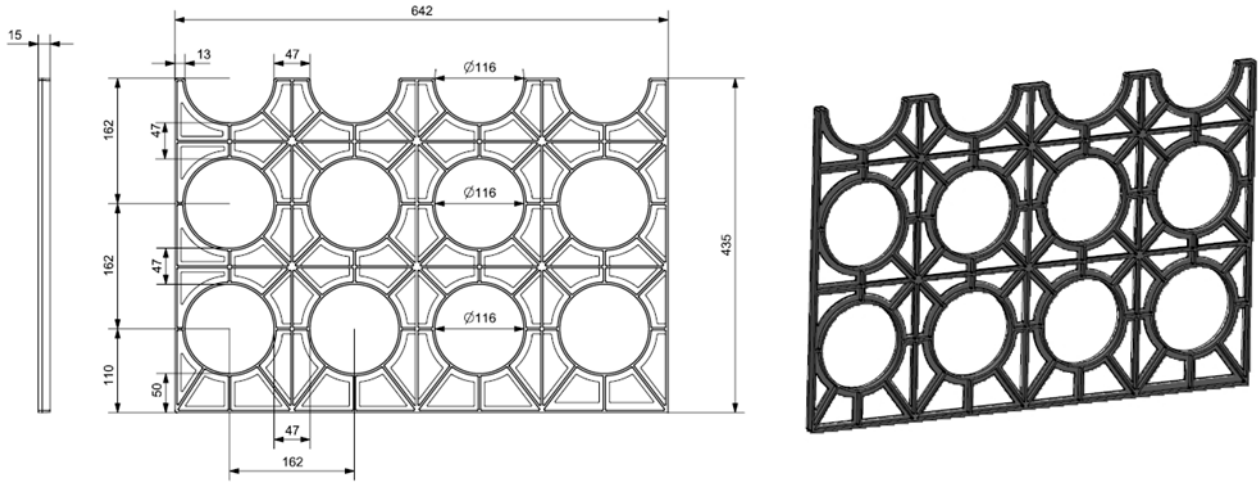
**MONODUCT -  $\varnothing$  110 2 Levels with 3 Lines +  $\varnothing$  76 3 Levels with 4 Lines +  
+ 4 Additional Joints for Assembly Style MONODUCT**



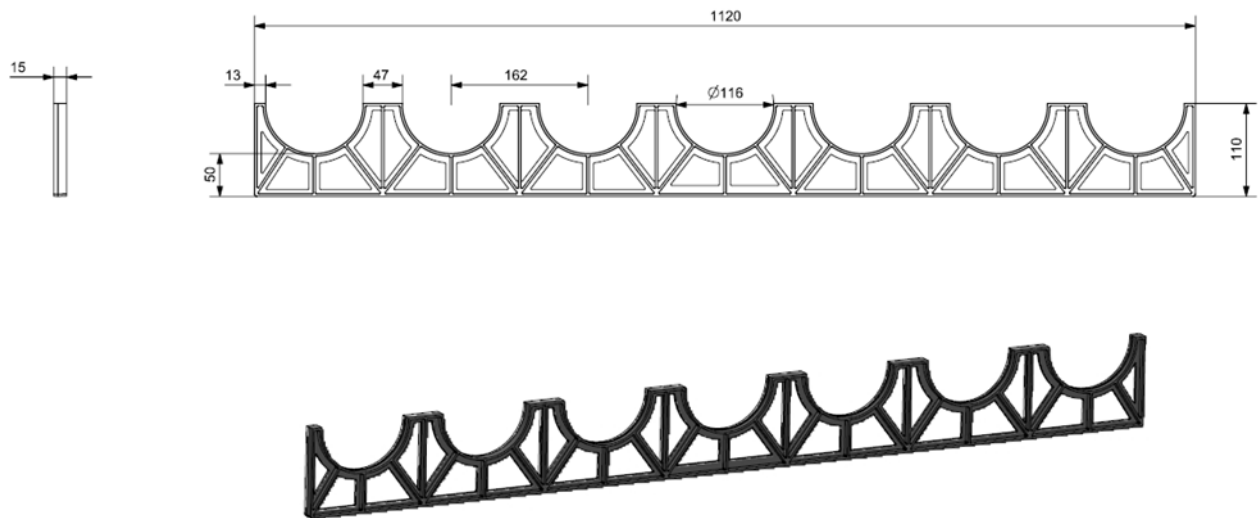
**MONODUCT -  $\varnothing$  110 3 Levels with 3 Lines**



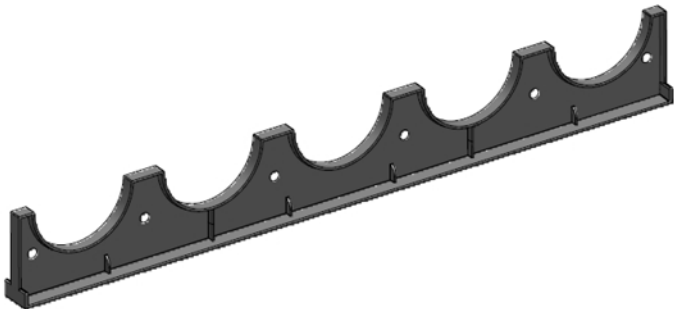
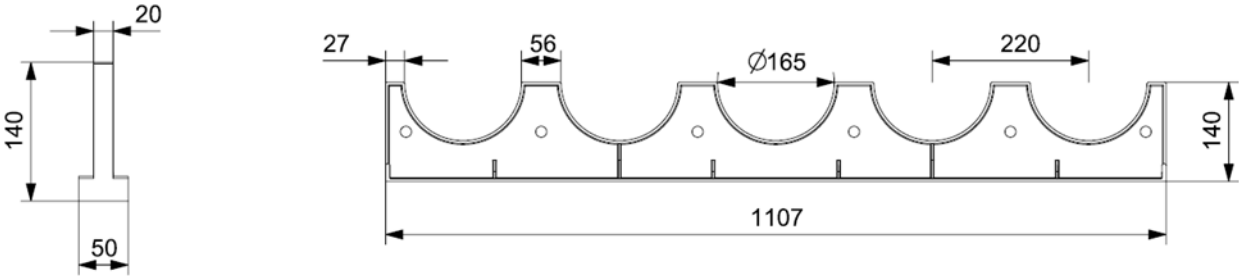
**MONODUCT - Ø 110 3 Levels with 4 Lines**



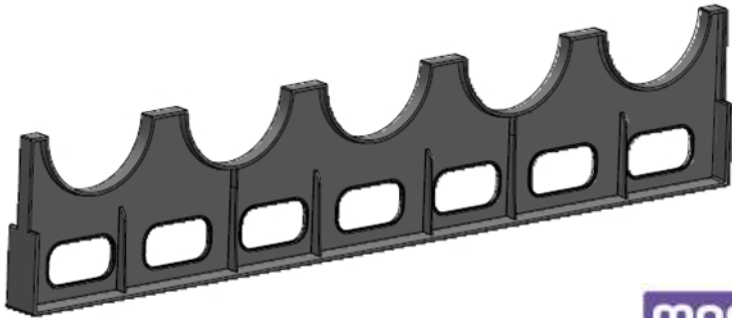
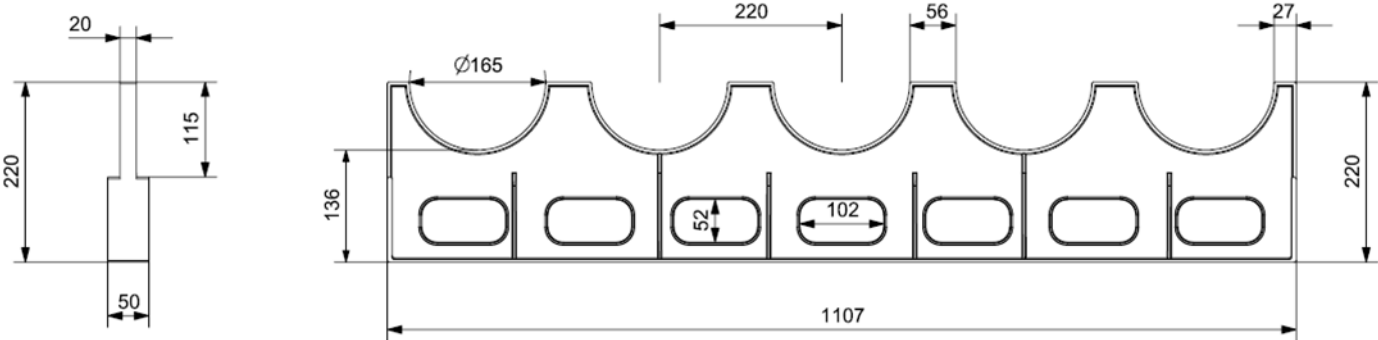
**MONODUCT - Ø 110 1 Level with 7 Lines**



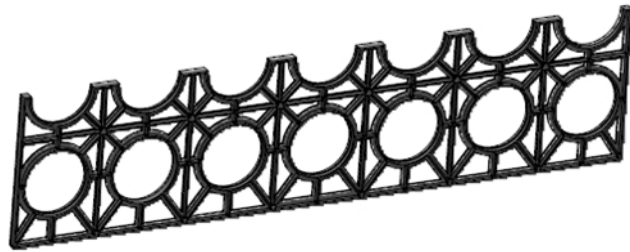
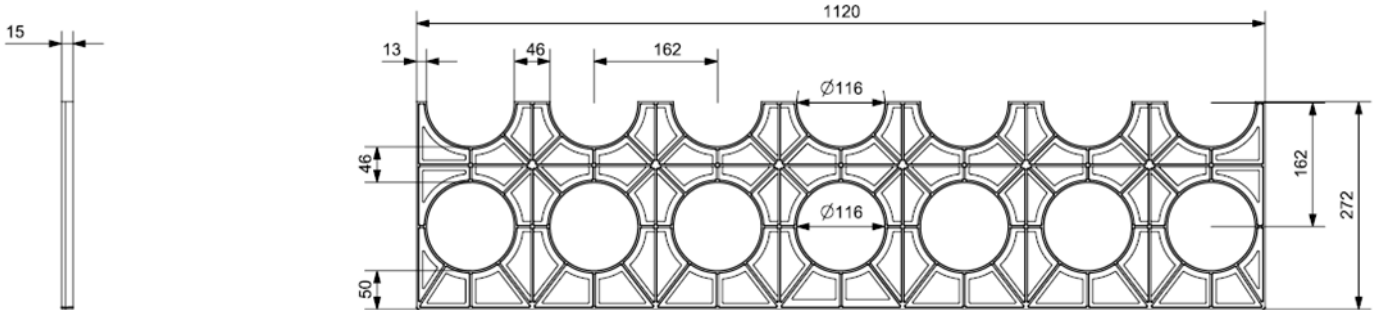
MONODUCT - Ø 160 1 Level with 5 Lines



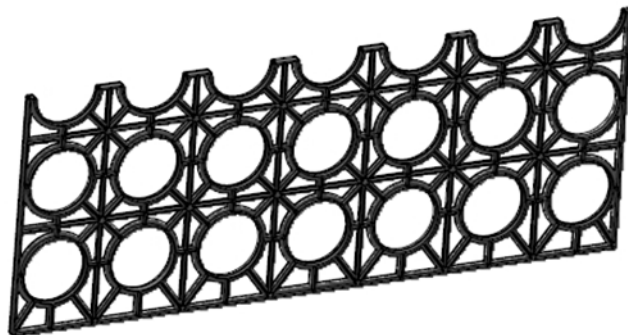
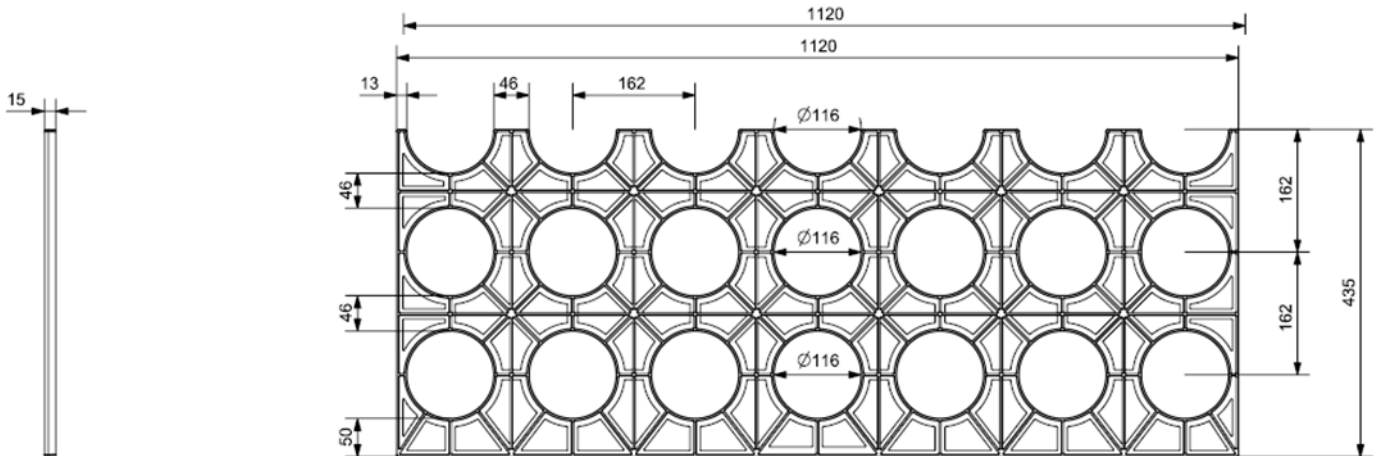
MONODUCT - Ø 160 1 Level with 5 Lines – Type 2



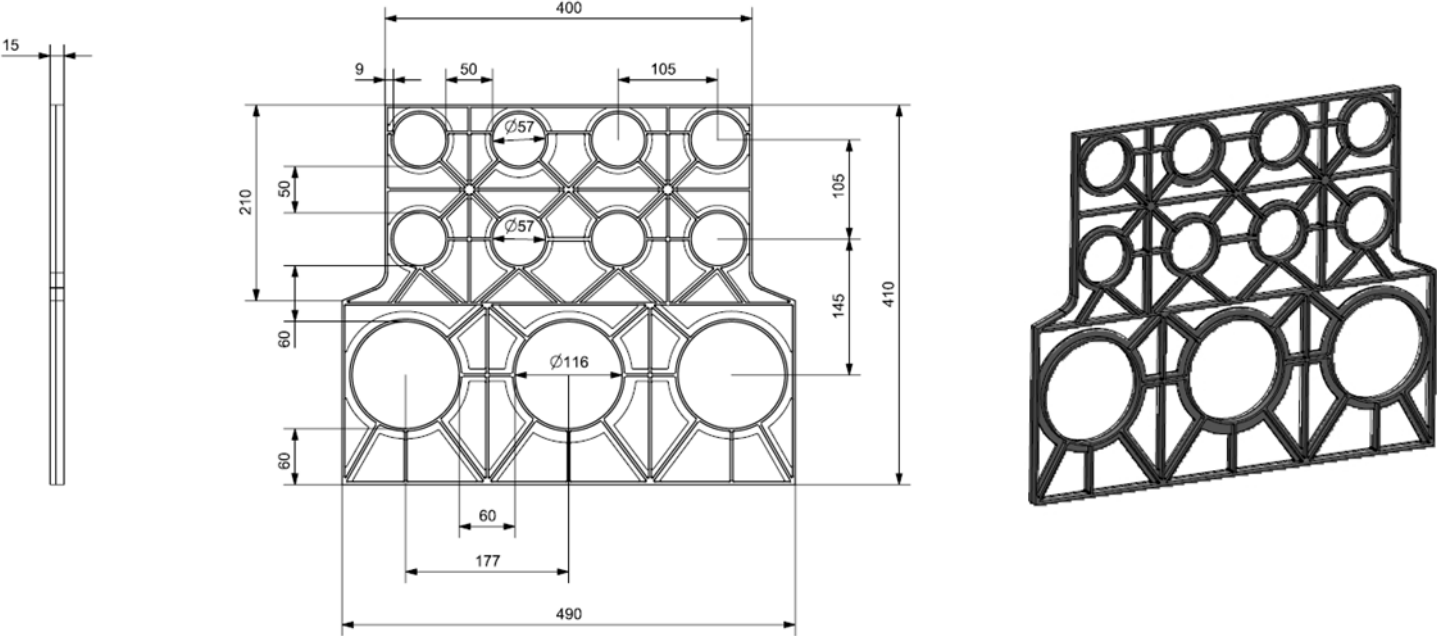
**MONODUCT - Ø 110 2 Levels with 7 Lines**



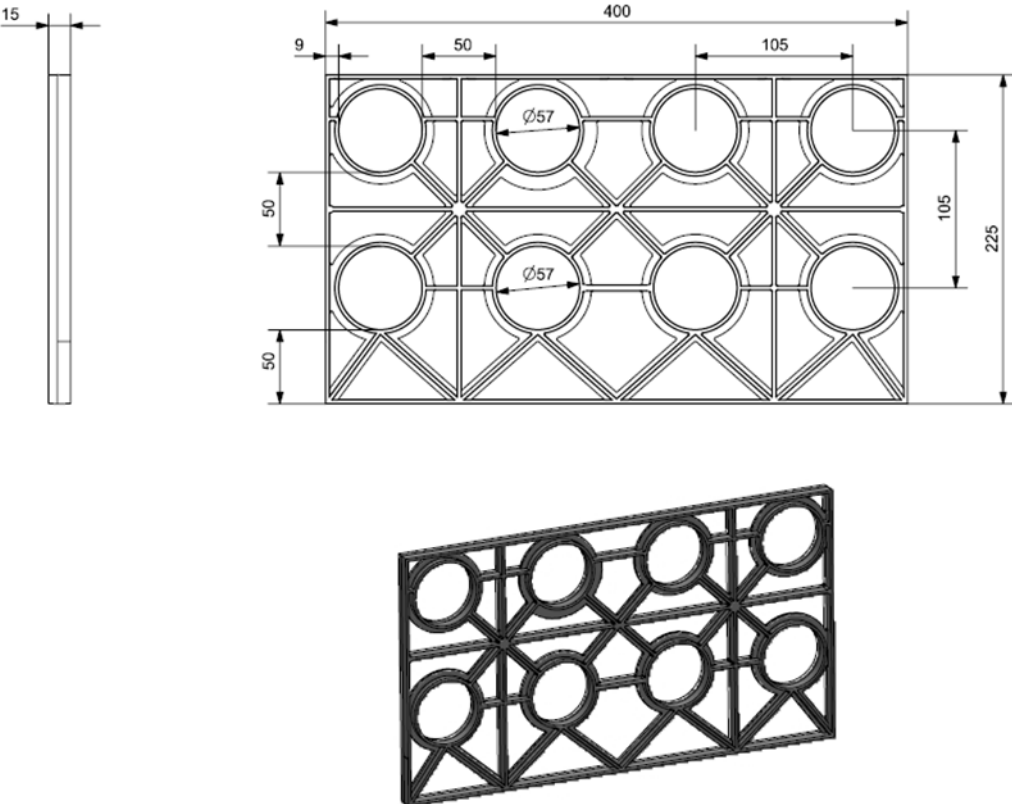
**MONODUCT - Ø 110 3 Levels with 7 Lines**



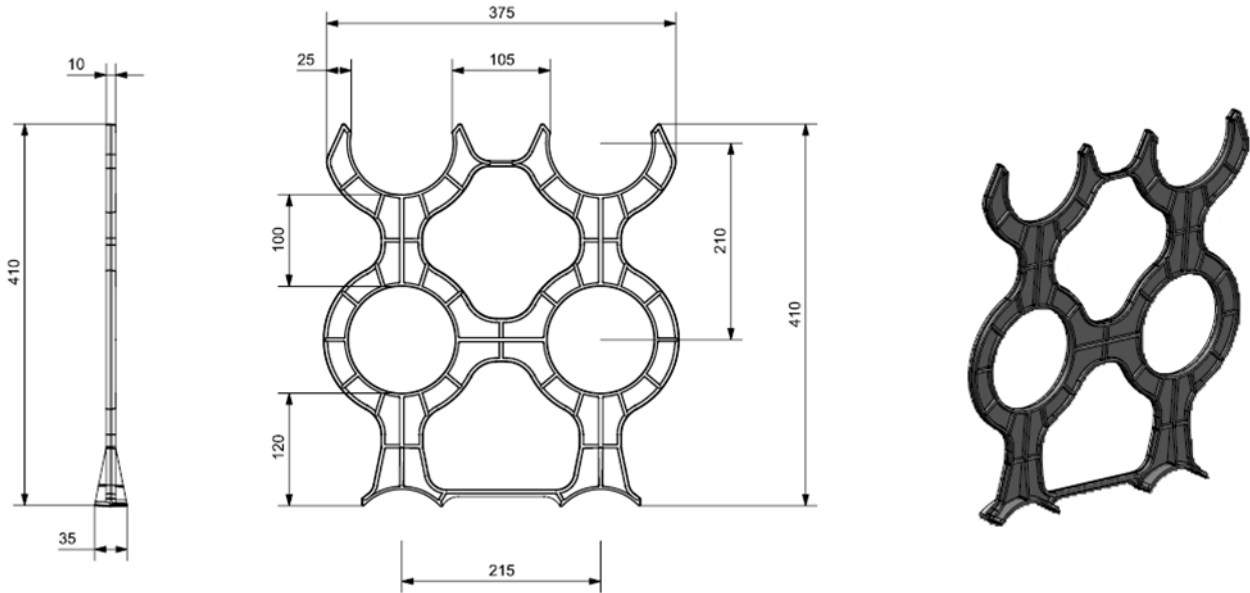
**MONODUCT -  $\varnothing$  110 1 Level with 3 Lines +  $\varnothing$  50 2 Levels with 4 Lines – Type 1**



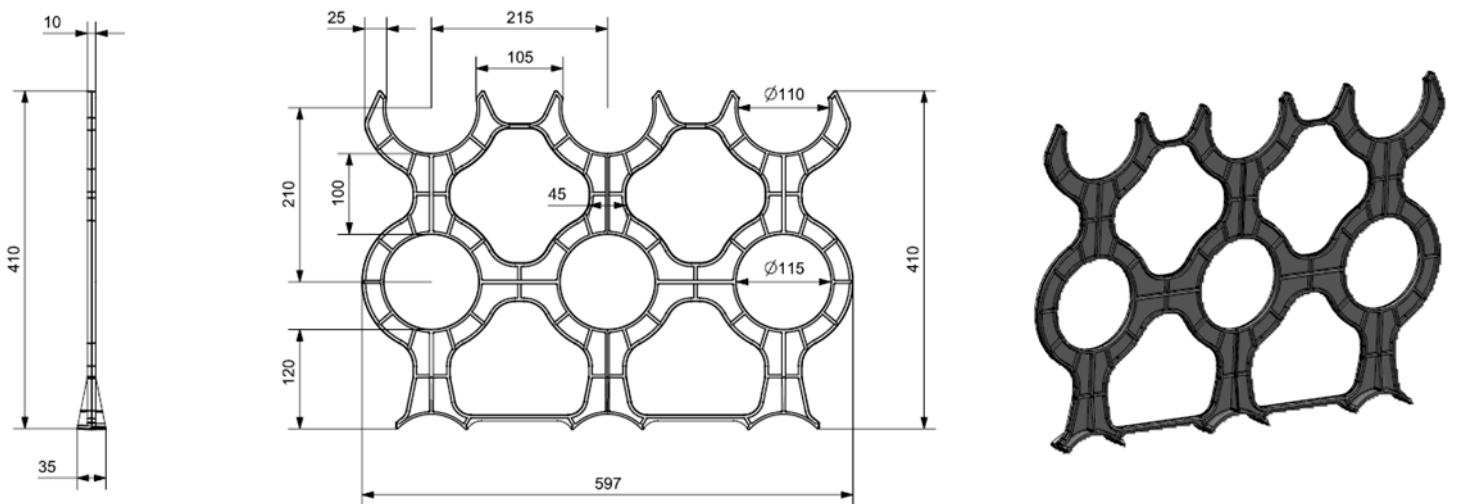
**MONODUCT -  $\varnothing$  50 2 Level with 4 Lines – Type 3**



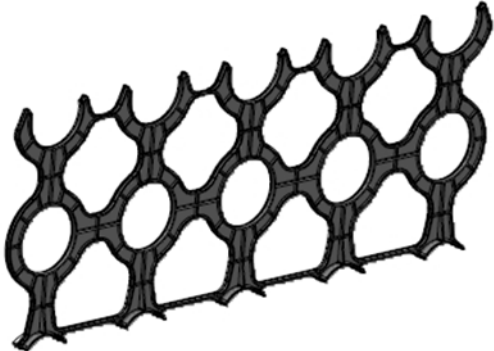
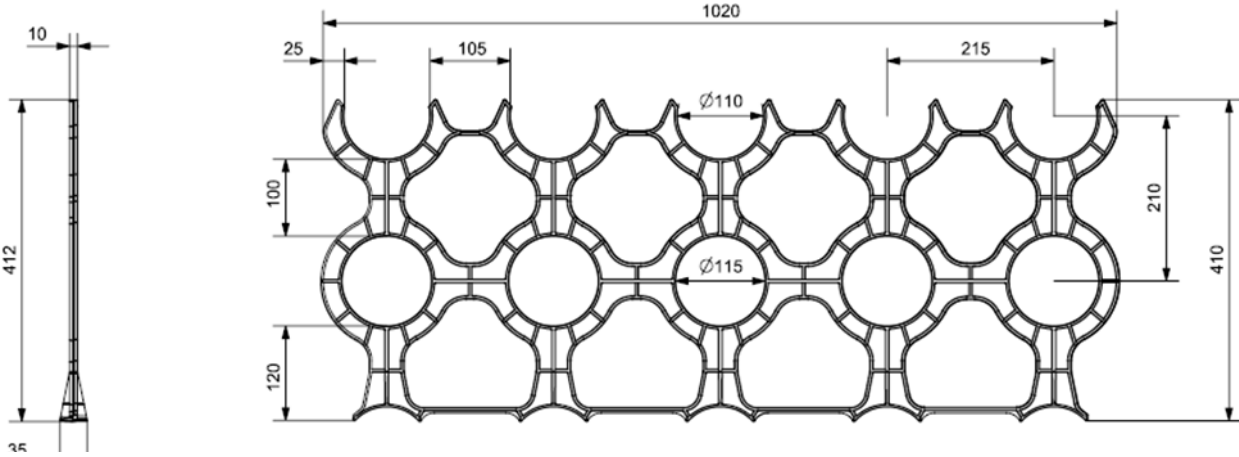
**MONODUCT -  $\varnothing$  100 2 Levels with 2 Lines – Type-B**



**MONODUCT -  $\varnothing$  110 1 Level 1 with 3 Lines +  $\varnothing$  100 1 Level 1 with 3 Lines - Type-B**



**MONODUCT - Ø 110 2 Levels with 5 Lines - Type-B**

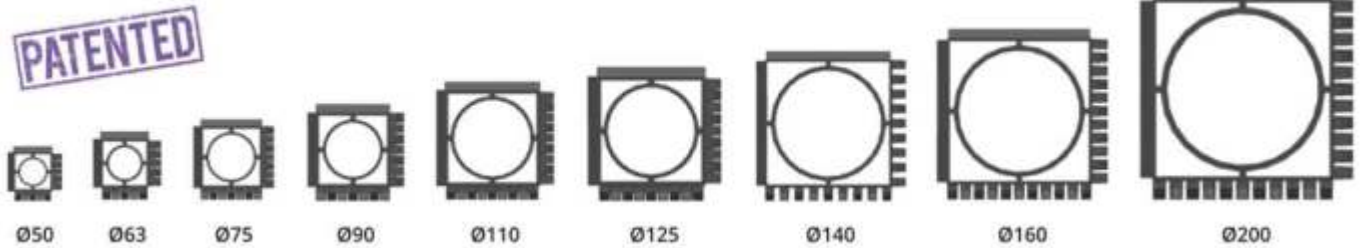


**Application Details;**

The installation of our Monoduct spacer product is done in the horizontal and vertical alignment direction determined by the project. This system is installed at certain intervals in the channels or trenches where the same cables will pass through the multiple cable transmission lines. It is passed through the pipe ducts. The stability of the multiple cable transmission line is provided for a temporary period of time. In order to maintain the stability of the line, it is expected that the filler materials such as concrete or mortar should be poured and dried. Finally, by carrying out the underground closure of the multi-cable transmission line, the installation or maintenance of the multiple cable transmission line is completed.

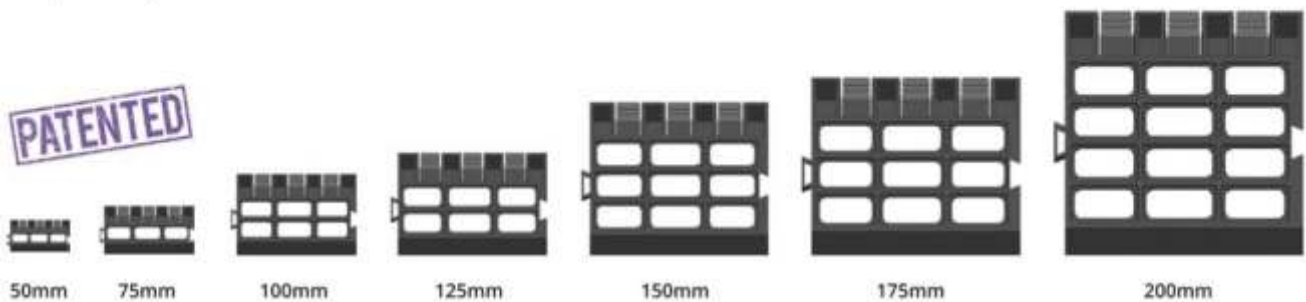
## Monoduct Single Configuration

Monoduct block has 9 different types, respectively;



## Monoduct Separating Elements;

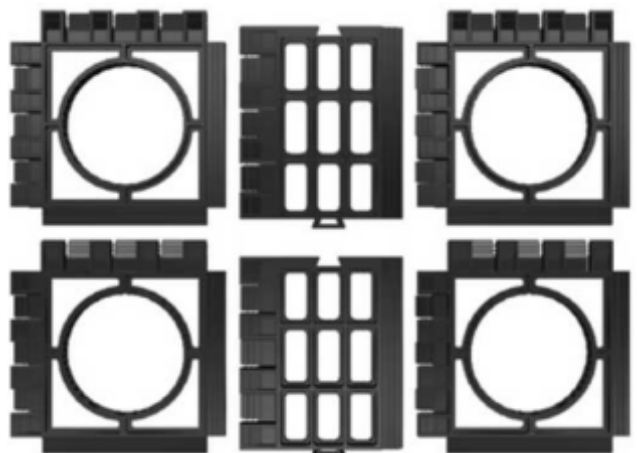
The distance between pipes, which is normally 50mm, may vary depending on the projects. Because of this, the distance can be changed by Monoduct separating elements. There are 7 different kinds of separators available, respectively;



## Assembly Style

### for Monoducts

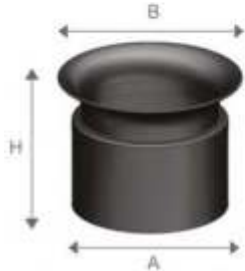
*Limitless configurations of the pipe  
Diameter and distance can be available  
upon the project requirements.*



## Auxiliary Equipment



Pipe End Caps



Protective Pipe Pass Cap

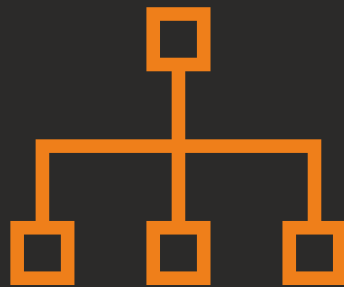
Kod No Code No	Referans Reference
1800500001	50 Mufli (With Muff) Ø50mm H: 27mm
1800500002	50 Mufsuz (Without Muff) Ø45mm H: 27mm
1800750001	75 Mufli (With Muff) Ø75mm H: 32mm
1800750002	75 Mufsuz (Without Muff) Ø70mm H: 32mm
1801100001	110 Mufli (With Muff) Ø110mm H: 42mm
1801100002	110 Mufsuz (Without Muff) Ø105mm H: 42mm

Kod No Code No	Referans Reference
2151180095	A: Ø118mm - B: Ø95mm - H: Ø153mm
2151600143	A: Ø160mm - B: Ø143mm - H: Ø148mm
2151700140	A: Ø170mm - B: Ø140mm - H: Ø153mm



Kablo Geçiş Boru Uygulaması  
(Istanbul Grand Airport 2017)

Duct Bank Application  
(Istanbul Grand Airport 2017)



# True North

STRUCTURAL SYSTEMS



**Canada Head Office**

210 8399 200th St. Langley B.C.  
V2Y 3C2Canada

**Canada Ottawa Office**

201-2487 Kaladar Ave. Ottawa  
ON. K1V 8B9

**USA Texas Office**

226 S.Enterpize Pkwy. Corpus Christi  
78405 Texas USA

[www.truenorthstructural.com](http://www.truenorthstructural.com)